

# CDH 2016 15 octobre PEPS 55 JO -2

Competitors: 2

## Competitors

#	Name	Grade	Club	1	2	1	2	1	2	Wins	Pts	Pos
1	VILLENEUVE Francis	4k+	sept-iles		10				7	2	17	1
2	BARIL Tristan	3k	kimewaza			10				1	10	2

## Matches

Match	White			Blue	Result	Time	Code
E-1	<b>VILLENEUVE Francis</b>	1	2	BARIL Tristan	10 - 0	0:05	IPO
E-2	VILLENEUVE Francis	1	2	<b>BARIL Tristan</b>	0 - 10	2:10	IPO
E-3	<b>VILLENEUVE Francis</b>	1	2	BARIL Tristan	7 - 0	3:00	WAZ

## Results

Pos	Name
1	VILLENEUVE Francis, sept-iles
2	BARIL Tristan, kimewaza

# CDH 2016 15 octobre PEPS FO 55JO

Competitors: 3

## Competitors

#	Name	Grade	Club	1	2	3	Wins	Pts	Pos
1	MARCOUILLER Jordan	4k+	ghishintaido			10	1	10	2
2	BLACKBURN David	4k+	jjonquière	10		10	2	20	1
3	PELLETIER Alexandre	4k	Judo-tani				0	0	3

## Matches

Match	White			Blue	Result	Time	Code
E-5	MARCOUILLER Jordan	1	2	<b>BLACKBURN David</b>	0 - 10	0:23	IPO
E-7	<b>MARCOUILLER Jordan</b>	1	3	PELLETIER Alexandre	10 - 0	2:20	WIP
E-6	<b>BLACKBURN David</b>	2	3	PELLETIER Alexandre	10 - 0	1:15	IPO

## Results

Pos	Name
1	BLACKBURN David, jjonquière
2	MARCOUILLER Jordan, ghishintaido
3	PELLETIER Alexandre, Judo-tani

# CDH 2016 15 octobre PEPS U14F +63JO

Competitors: 3

## Competitors

#	Name	Grade	Club	1	2	3	Wins	Pts	Pos
1	TREMBLAY Madison	5k+	sakura				0	0	3
2	SIMARD Émilie	4k	multikyo	10		10	2	20	1
3	LAROCHE Aurelie	5k+	kimewaza	10			1	10	2

## Matches

Match	White			Blue	Result	Time	Code
C-12	TREMBLAY Madison	1	2	<b>SIMARD Émilie</b>	0 - 10	0:25	WIP
C-18	TREMBLAY Madison	1	3	<b>LAROCHE Aurelie</b>	0 - 10	1:59	WIP
C-25	<b>SIMARD Émilie</b>	2	3	LAROCHE Aurelie	10 - 0	0:28	WIP

## Results

Pos	Name
1	SIMARD Émilie, multikyo
2	LAROCHE Aurelie, kimewaza
3	TREMBLAY Madison, sakura

# CDH 2016 15 octobre PEPS U14F -40JO

Competitors: 6

## Competitors A

#	Name	Grade	Club	1	2	3	Wins	Pts	Pos
1	LACHANCE Maxim	5k+	seiko		10		1	10	2
2	HAUG Malika	5k	Univestrie/Donini				0	0	3
3	MATHIEU Camelia	5k	JSK Laterriere	10	1		2	11	1

## Matches A

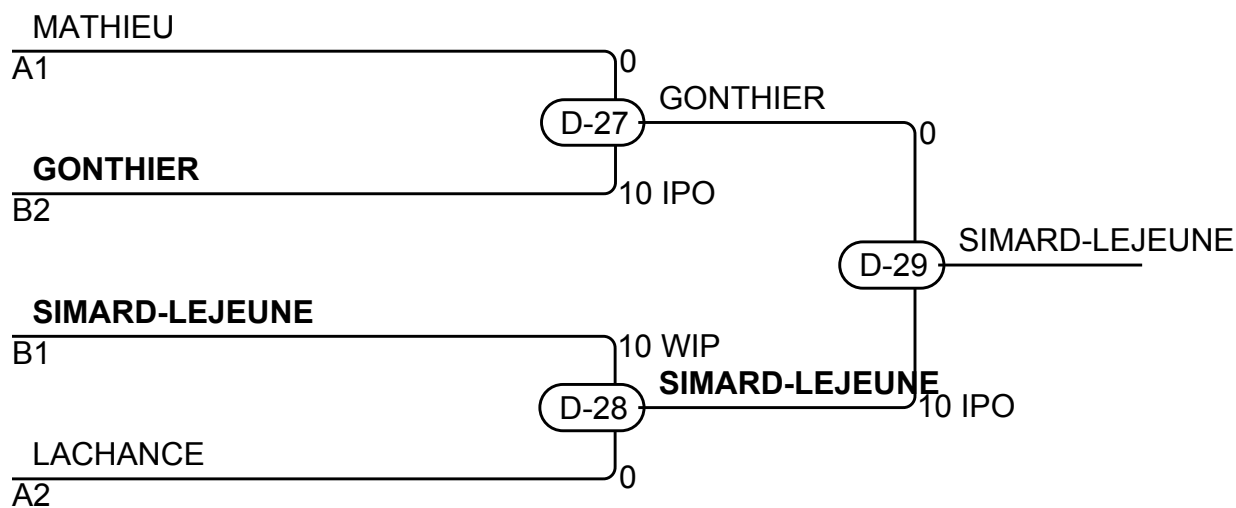
Match	White	Blue	Result	Time	Code
D-13	LACHANCE Maxim 1 2	HAUG Malika	10 - 0	1:07	IPO
D-19	LACHANCE Maxim 1 3	MATHIEU Camelia	0 - 10	2:55	HAN
D-25	HAUG Malika 2 3	MATHIEU Camelia	0 - 1	3:00	YUS

## Competitors B

#	Name	Grade	Club	4	5	6	Wins	Pts	Pos
4	SIMARD-LEJEUNE Mathilde	5k+	seiko		10	10	2	20	1
5	GONTHIER Béatrice	5k	vieille Capitale			10	1	10	2
6	DUBÉ Océane	4k	Univestrie/Donini				0	0	3

## Matches B

Match	White	Blue	Result	Time	Code
D-14	SIMARD-LEJEUNE Mathilde 4 5	GONTHIER Béatrice	10 - 0	0:07	IPO
D-20	SIMARD-LEJEUNE Mathilde 4 6	DUBÉ Océane	10 - 0	0:49	WIP
D-26	GONTHIER Béatrice 5 6	DUBÉ Océane	10 - 0	1:47	WIP



## Results

Pos	Name
1	SIMARD-LEJEUNE Mathilde, seiko
2	GONTHIER Béatrice, vieille Capitale
3	MATHIEU Camelia, JSK Laterriere
3	LACHANCE Maxim, seiko

# CDH 2016 15 octobre PEPS U14F -44JO

Competitors: 3

## Competitors

#	Name	Grade	Club	1	2	3	Wins	Pts	Pos
1	VEILLEUX jade	4k	torakai		10	10	2	20	1
2	HUARD Élodie	5k	jjonquière			10	1	10	2
3	BEAUCHAMP Eliane	5k	vieille Capitale				0	0	3

## Matches

Match	White			Blue	Result	Time	Code
B-7	VEILLEUX jade	1	2	HUARD Élodie	10 - 0	2:05	WIP
B-13	VEILLEUX jade	1	3	BEAUCHAMP Eliane	10 - 0	2:13	WIP
B-19	HUARD Élodie	2	3	BEAUCHAMP Eliane	10 - 0	1:41	WIP

## Results

Pos	Name
1	VEILLEUX jade, torakai
2	HUARD Élodie, jjonquière
3	BEAUCHAMP Eliane, vieille Capitale

# CDH 2016 15 octobre PEPS U14F -44VB

Competitors: 3

## Competitors

#	Name	Grade	Club	1	2	3	Wins	Pts	Pos
1	LAPOINTE Sophie	2k	port-cartier			10	1	10	2
2	IKENE Loundja	3k	Métropolitain	7		10	2	17	1
3	GAGNON Naomie	3k+	sept-iles				0	0	3

## Matches

Match	White			Blue	Result	Time	Code
A-47	LAPOINTE Sophie	1	2	IKENE Loundja	0 - 7	3:00	WAZ
A-54	LAPOINTE Sophie	1	3	GAGNON Naomie	10 - 0	0:41	IPO
A-57	IKENE Loundja	2	3	GAGNON Naomie	10 - 0	1:17	WIP

## Results

Pos	Name
1	IKENE Loundja, Métropolitain
2	LAPOINTE Sophie, port-cartier
3	GAGNON Naomie, sept-iles

# CDH 2016 15 octobre PEPS U14F -48JO

Competitors: 6

## Competitors A

#	Name	Grade	Club	1	2	3	Wins	Pts	Pos
1	JALBERT Marie-Ann	5k	la pociatiere				0	0	3
2	GOBEIL maude	5k+	JSK Laterriere	10		7	2	17	1
3	LABELLE Océanne	5k+	zenshin	10			1	10	2

## Matches A

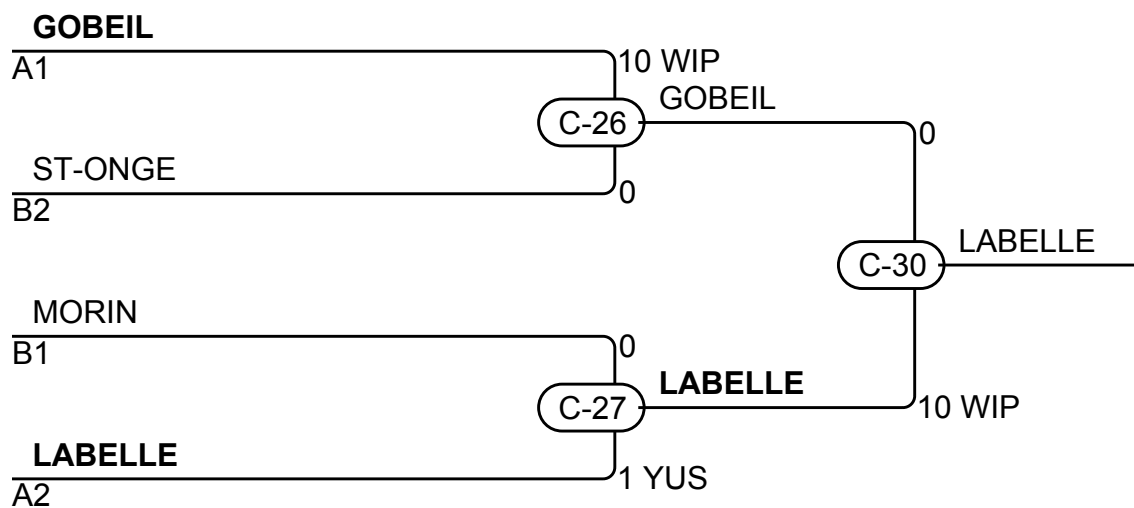
Match	White	Blue	Result	Time	Code
C-6	JALBERT Marie-Ann 1 2	GOBEIL maude	0 - 10	1:50	WIP
C-13	JALBERT Marie-Ann 1 3	LABELLE Océanne	0 - 10	1:11	IPO
C-19	GOBEIL maude 2 3	LABELLE Océanne	7 - 0	3:00	WAZ

## Competitors B

#	Name	Grade	Club	4	5	6	Wins	Pts	Pos
4	MORIN Frédérique	5k+	kimewaza		10	10	2	20	1
5	ST-ONGE Mélodie	4k+	asbestos			10	1	10	2
6	BERIAULT Genevieve	4k	bushidokan				0	0	3

## Matches B

Match	White	Blue	Result	Time	Code
C-7	MORIN Frédérique 4 5	ST-ONGE Mélodie	10 - 0	2:13	IPO
C-14	MORIN Frédérique 4 6	BERIAULT Genevieve	10 - 0	0:38	IPO
C-20	ST-ONGE Mélodie 5 6	BERIAULT Genevieve	10 - 0	0:51	WIP



## Results

Pos	Name
1	LABELLE Océanne, zenshin
2	GOBEIL maude, JSK Laterriere
3	ST-ONGE Mélodie, asbestos
3	MORIN Frédérique, kimewaza

# CDH 2016 15 octobre PEPS U14F -52JO

Competitors: 2

## Competitors

#	Name	Grade	Club	1	2	1	2	1	2	Wins	Pts	Pos
1	DESROCHES Rose-Hélène	4k	kimewaza							0	0	2
2	LÉVESQUE Megan	5k	la pocatiere	10		10				2	20	1

## Matches

Match	White			Blue	Result	Time	Code
A-17	DESROCHES Rose-Hélène	1	2	LÉVESQUE Megan	0 - 10	0:42	IPO
A-23	DESROCHES Rose-Hélène	1	2	LÉVESQUE Megan	0 - 10	2:47	IPO
A-27	DESROCHES Rose-Hélène	1	2	LÉVESQUE Megan			

## Results

Pos	Name
1	LÉVESQUE Megan, la pocatiere
2	DESROCHES Rose-Hélène, kimewaza



# CDH 2016 15 octobre PEPS U14F -52VB

Competitors: 3

## Competitors

#	Name	Grade	Club	1	2	3	Wins	Pts	Pos
1	FILION Noémie	2k	jjonquièrre		10	10	2	20	1
2	LEFEBVRE Élizabeth	3k	shawinigan				0	0	3
3	CHARNEAU Adele	3k	st-paul-l'ermite		10		1	10	2

## Matches

Match	White			Blue	Result	Time	Code
C-39	<b>FILION Noémie</b>	1	2	LEFEBVRE Élizabeth	10 - 0	0:37	WIP
C-42	<b>FILION Noémie</b>	1	3	CHARNEAU Adele	10 - 0	1:20	IPO
C-46	LEFEBVRE Élizabeth	2	3	<b>CHARNEAU Adele</b>	0 - 10	1:58	WIP

## Results

Pos	Name
1	FILION Noémie, jjonquièrre
2	CHARNEAU Adele, st-paul-l'ermite
3	LEFEBVRE Élizabeth, shawinigan

# CDH 2016 15 octobre PEPS U14M -31VB

Competitors: 3

## Competitors

#	Name	Grade	Club	1	2	3	Wins	Pts	Pos
1	NAGAMI-DAVIDSON Ryosuke	3k	ghishintaido		5	10	2	15	1
2	PASSELANDE Jérôme	3k	Varenes			7	1	7	2
3	TETLEY Deven	3k	Perrot-Shima				0	0	3

## Matches

Match	White			Blue	Result	Time	Code
C-40	NAGAMI-DAVIDSON Ryosuke	1	2	PASSELANDE Jérôme	5 - 0	3:00	YUK
C-43	NAGAMI-DAVIDSON Ryosuke	1	3	TETLEY Deven	10 - 0	1:23	IPO
C-47	PASSELANDE Jérôme	2	3	TETLEY Deven	7 - 0	3:00	WAZ

## Results

Pos	Name
1	NAGAMI-DAVIDSON Ryosuke, ghishintaido
2	PASSELANDE Jérôme, Varenes
3	TETLEY Deven, Perrot-Shima

# CDH 2016 15 octobre PEPS U14M -34VB

Competitors: 2

## Competitors

#	Name	Grade	Club	1	2	1	2	1	2	Wins	Pts	Pos
1	HRISTOV Daniel	3k	Perrot-Shima							0	0	2
2	BRAULT Alex	3k	Judo rive-sud	10		10				2	20	1

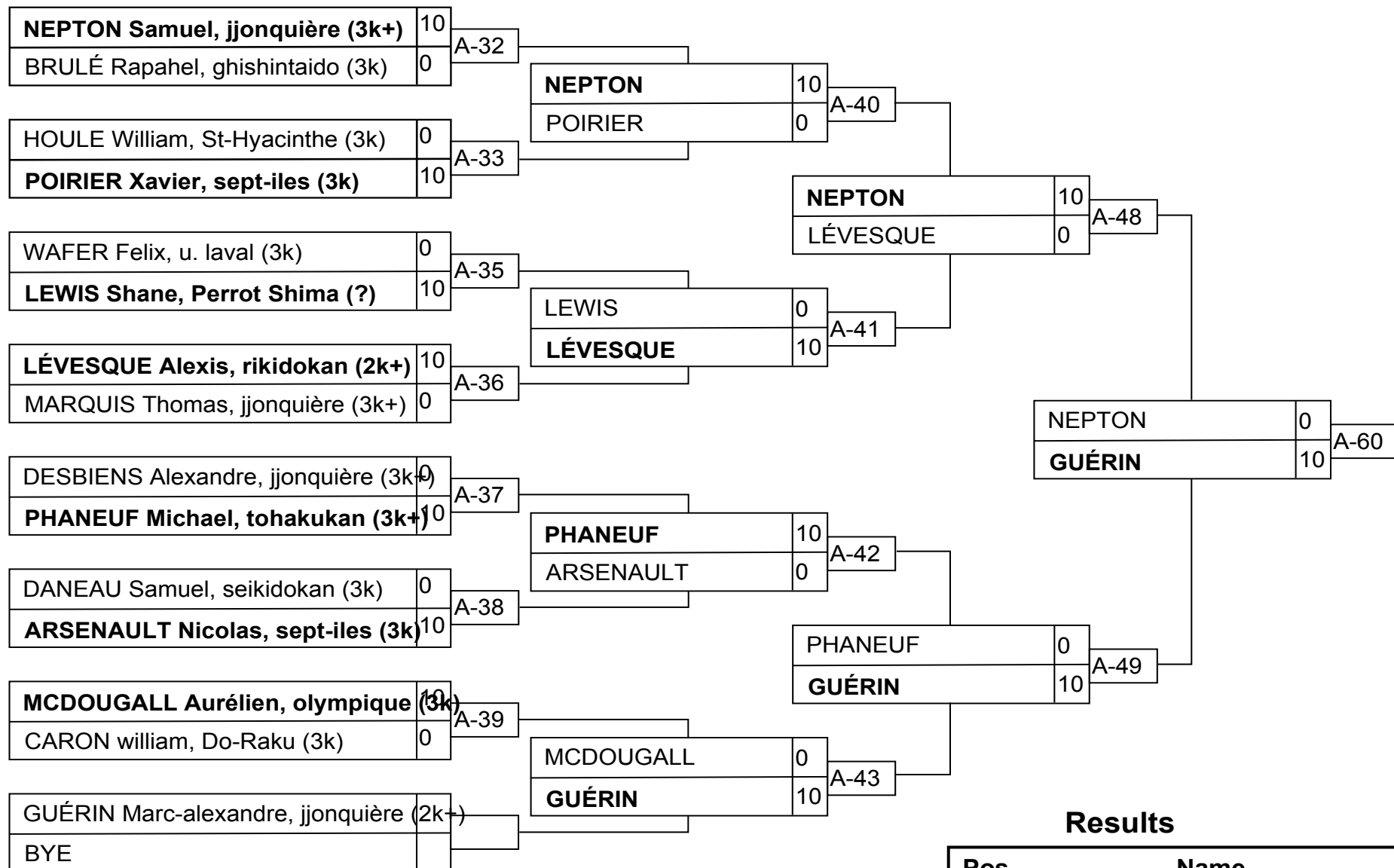
## Matches

Match	White			Blue	Result	Time	Code
D-34	HRISTOV Daniel	1	2	<b>BRAULT Alex</b>	0 - 10	0:24	IPO
D-39	HRISTOV Daniel	1	2	<b>BRAULT Alex</b>	0 - 10	2:17	IPO
D-44	HRISTOV Daniel	1	2	BRAULT Alex			

## Results

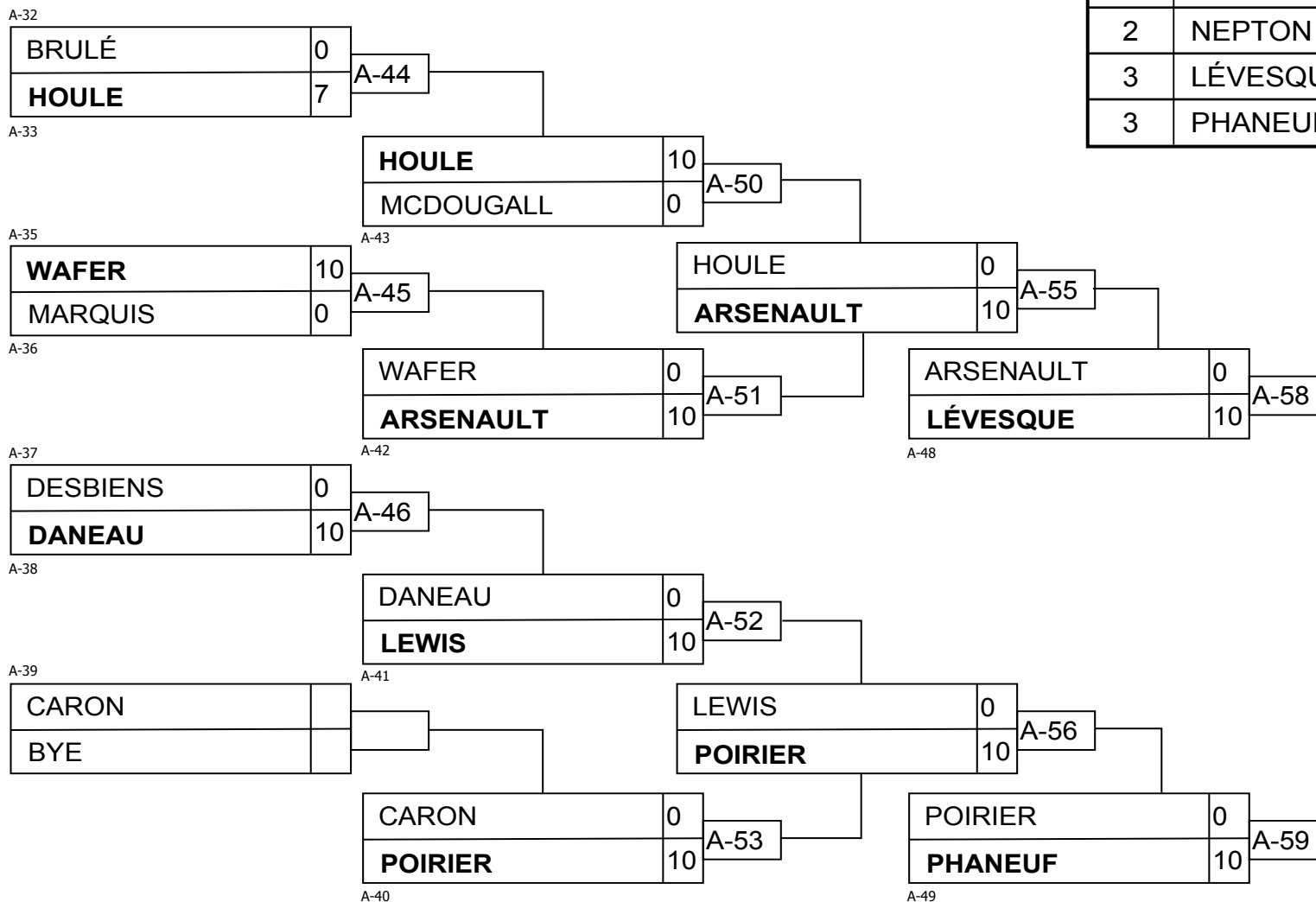
Pos	Name
1	BRAULT Alex, Judo rive-sud
2	HRISTOV Daniel, Perrot-Shima

# U14M -38VB

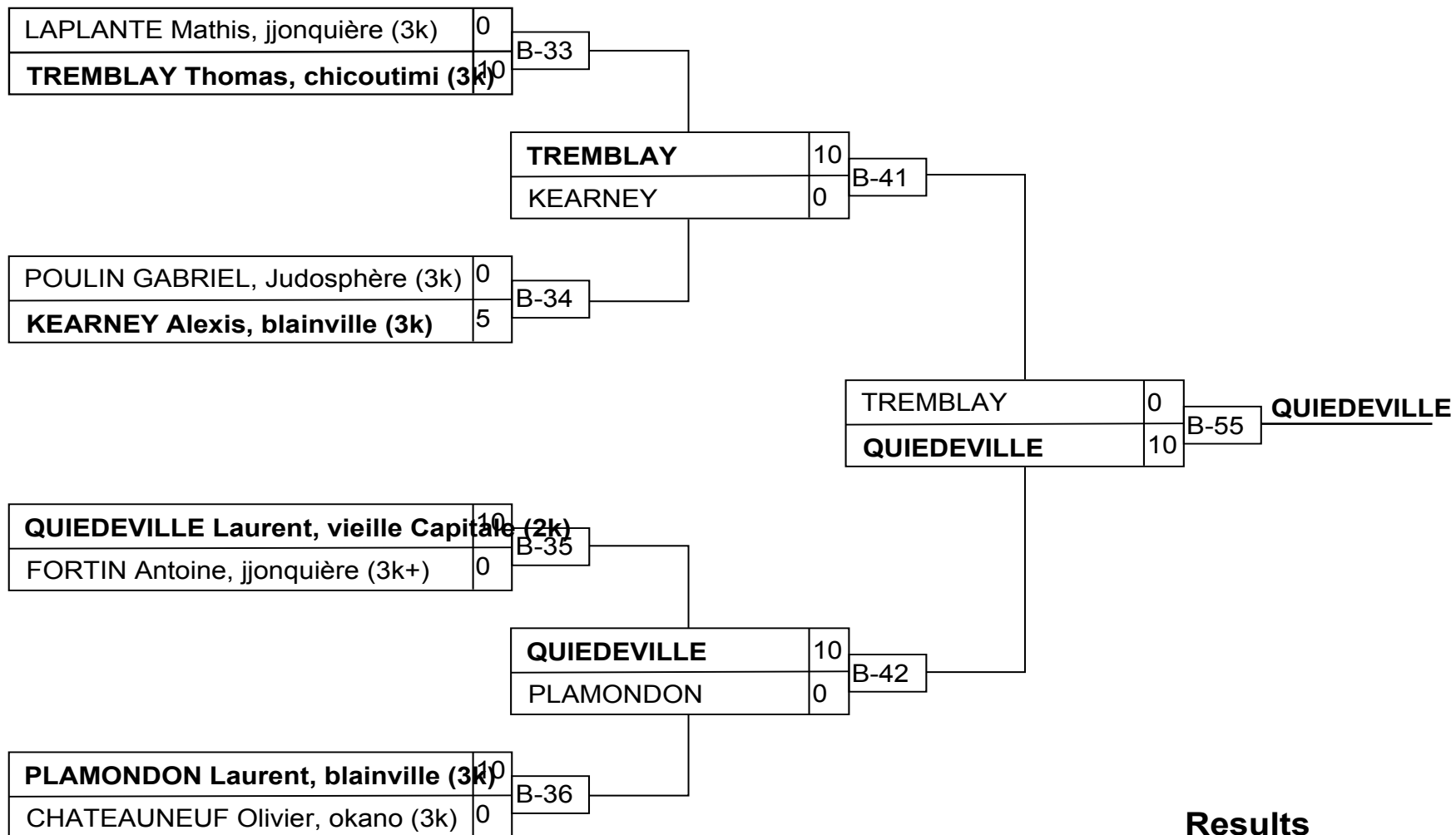


## Results

Pos	Name
1	GUÉRIN Marc-alexandre, jjonquière (2k+)
2	NEPTON Samuel, jjonquière (3k+)
3	LÉVESQUE Alexis, rikidokan (2k+)
3	PHANEUF Michael, tohakukan (3k+)

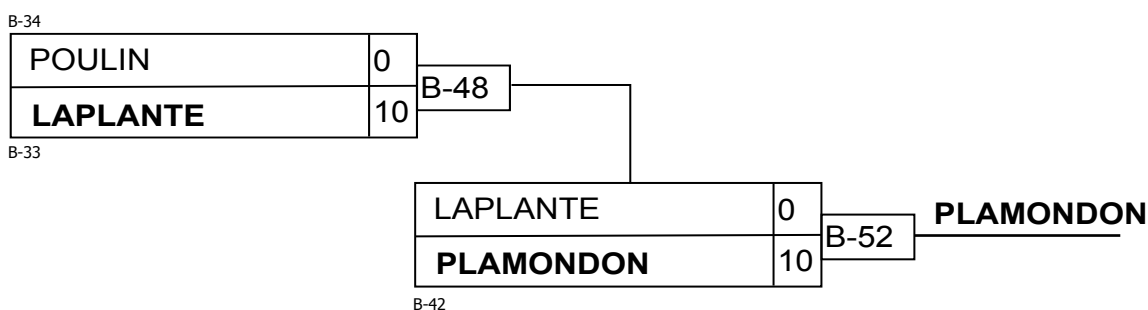
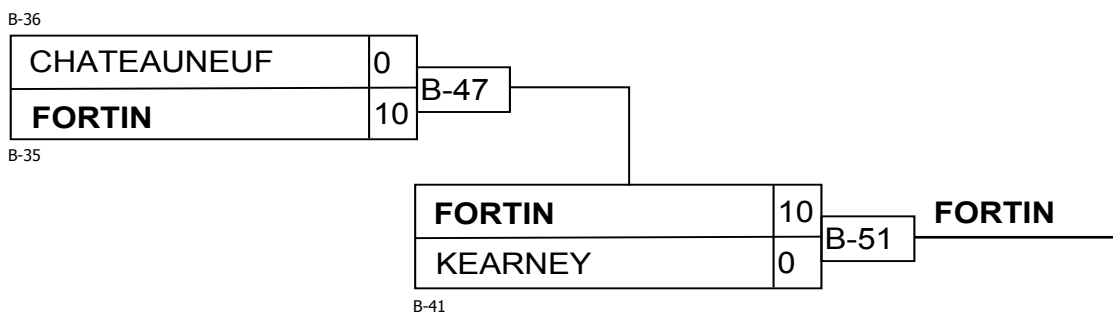


# U14M -42VB

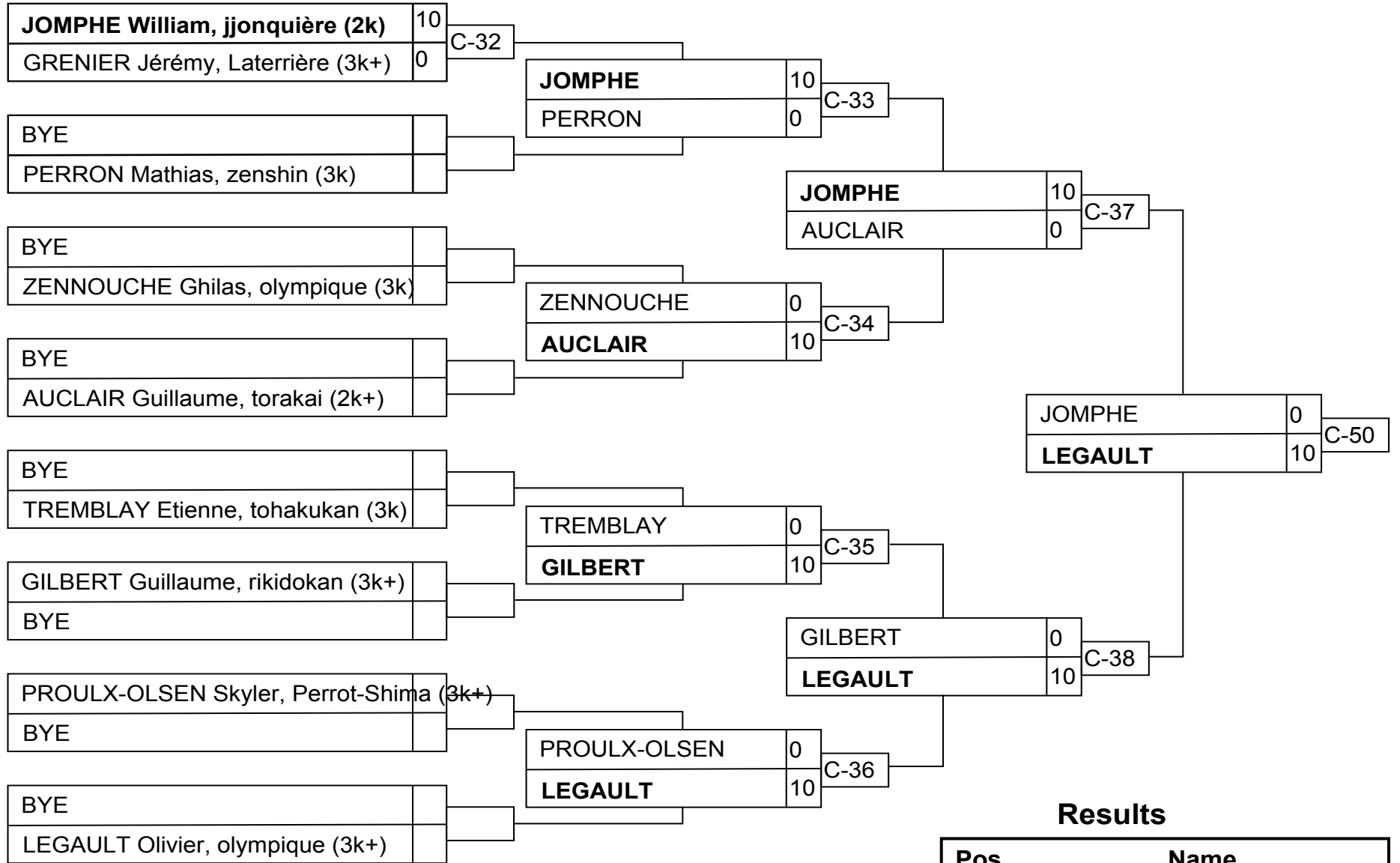


## Results

Pos	Name
1	QUIEDEVILLE Laurent, vieille Capitale
2	TREMBLAY Thomas, chicoutimi (3k)
3	FORTIN Antoine, jjonquière (3k+)
3	PLAMONDON Laurent, blainville (3k)

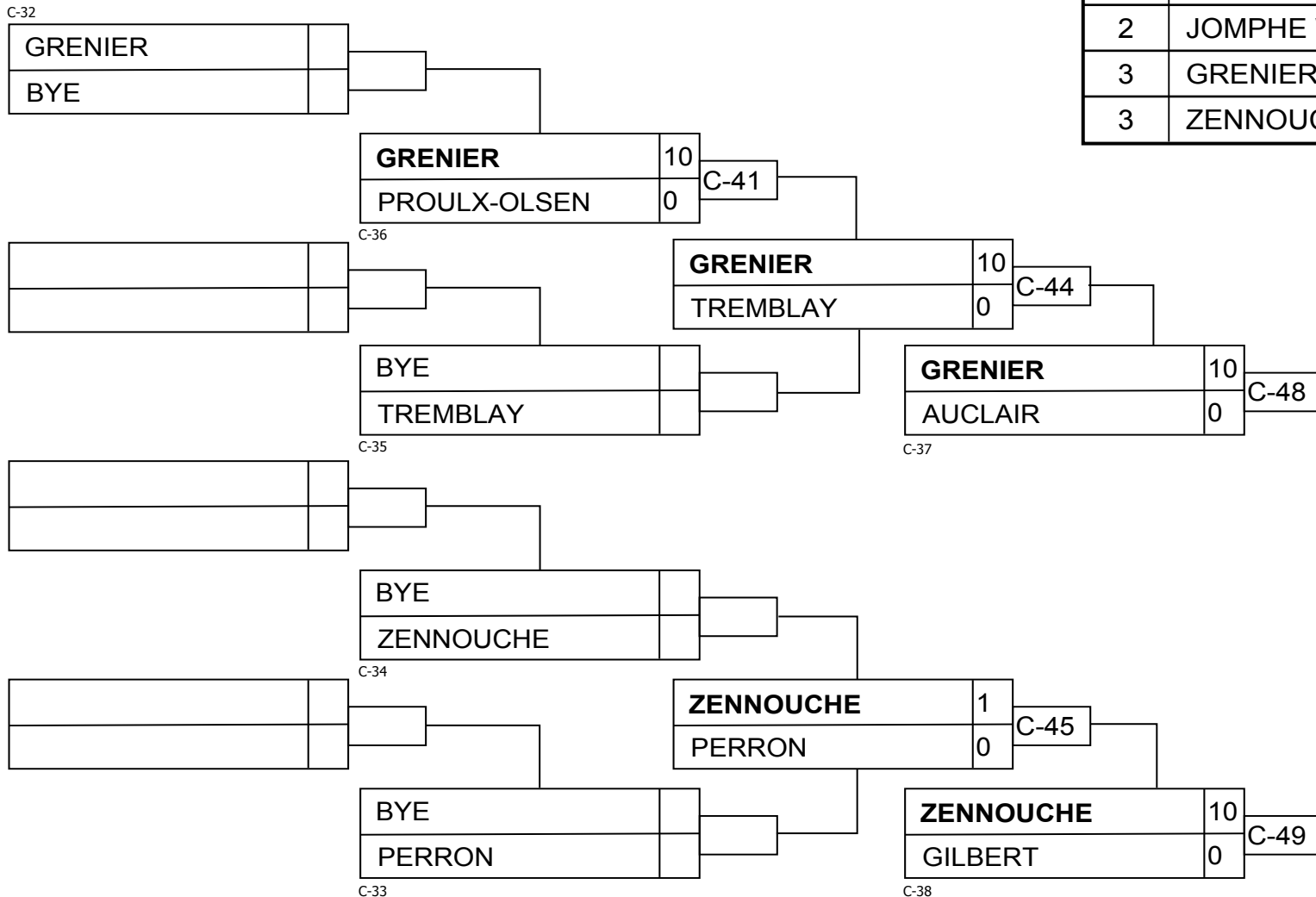


# U14M -46VB

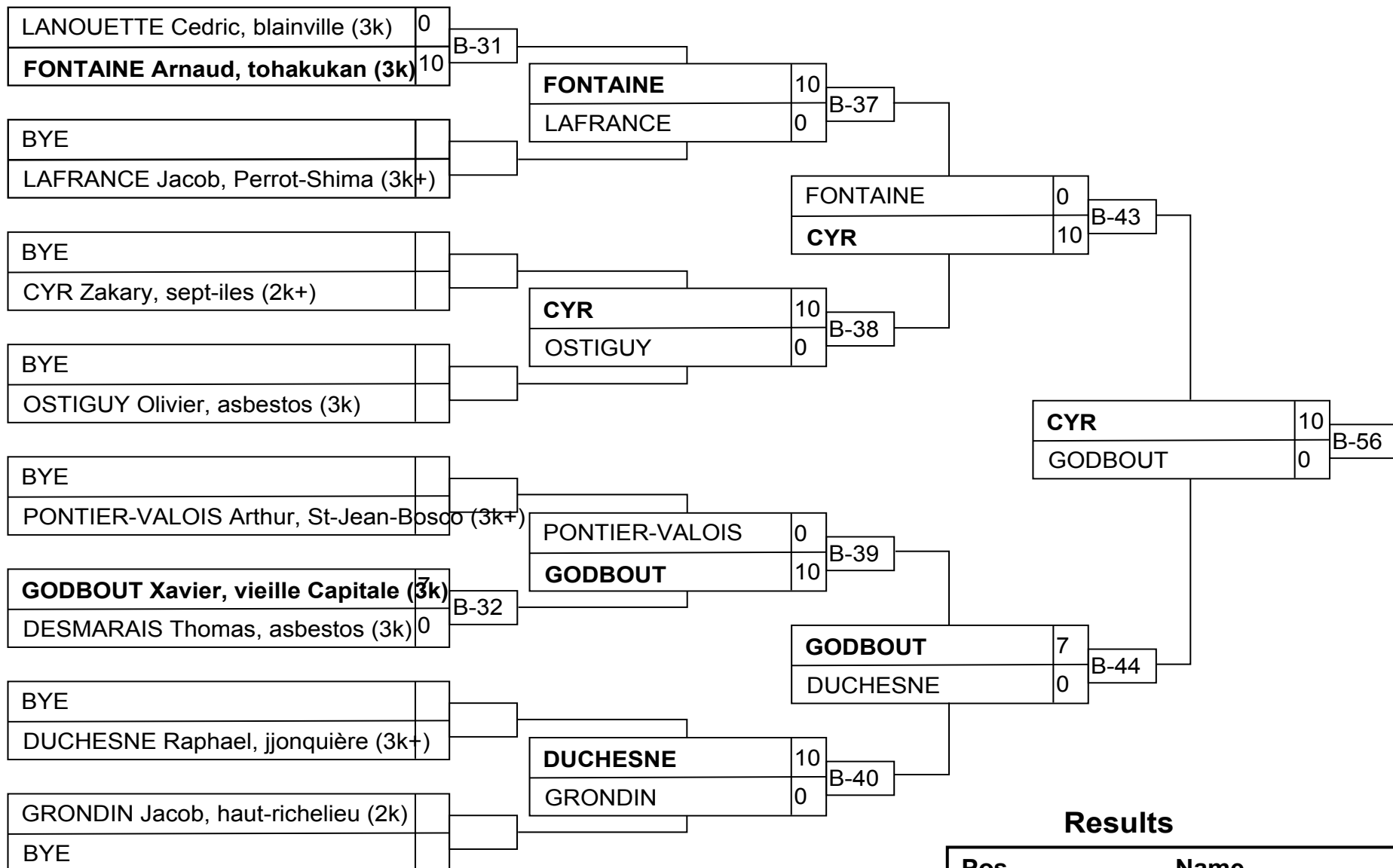


## Results

Pos	Name
1	LEGAULT Olivier, olympique (3k+)
2	JOMPHE William, jjonquière (2k)
3	GRENIER Jérémy, Laterrière (3k+)
3	ZENNOUCHE Ghilas, olympique (3k)

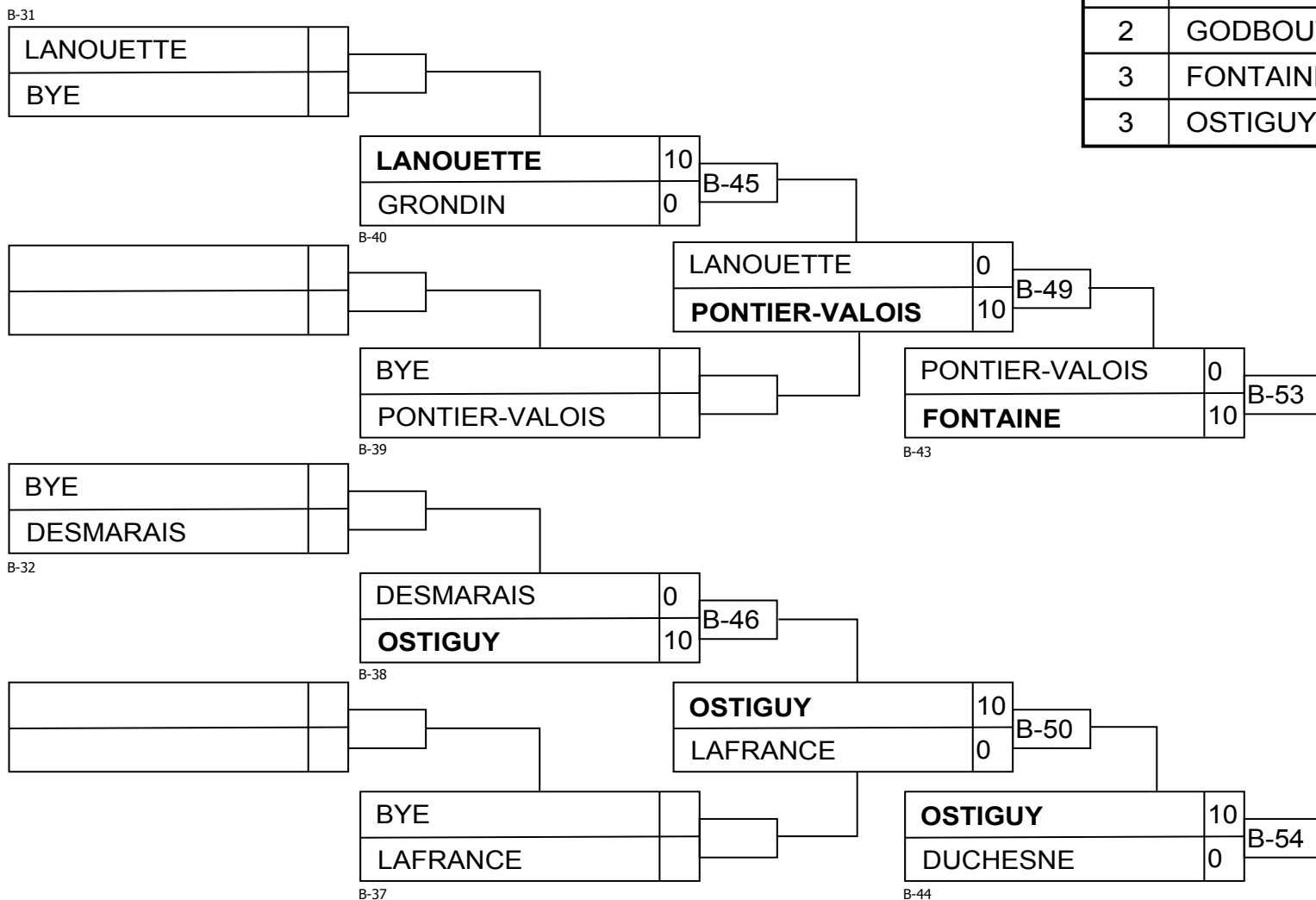


# U14M -50VB



## Results

Pos	Name
1	CYR Zakary, sept-iles (2k+)
2	GODBOUT Xavier, vieille Capitale (3k)
3	FONTAINE Arnaud, tohakukan (3k)
3	OSTIGUY Olivier, asbestos (3k)



# CDH 2016 15 octobre PEPS U14M -55VB

Competitors: 7

## Competitors A

#	Name	Grade	Club	1	2	3	4	Wins	Pts	Pos
1	DOUCET Mathis	3k	shawinigan			7		1	7	3
2	GORBACHUK Lucca	3k	St-Jean-Bosco	10		10	10	3	30	1
3	BEAULAC Éliot	3k	seikidokan					0	0	4
4	SAVARD Isaac	2k	jjonquièrre	10		10		2	20	2

## Matches A

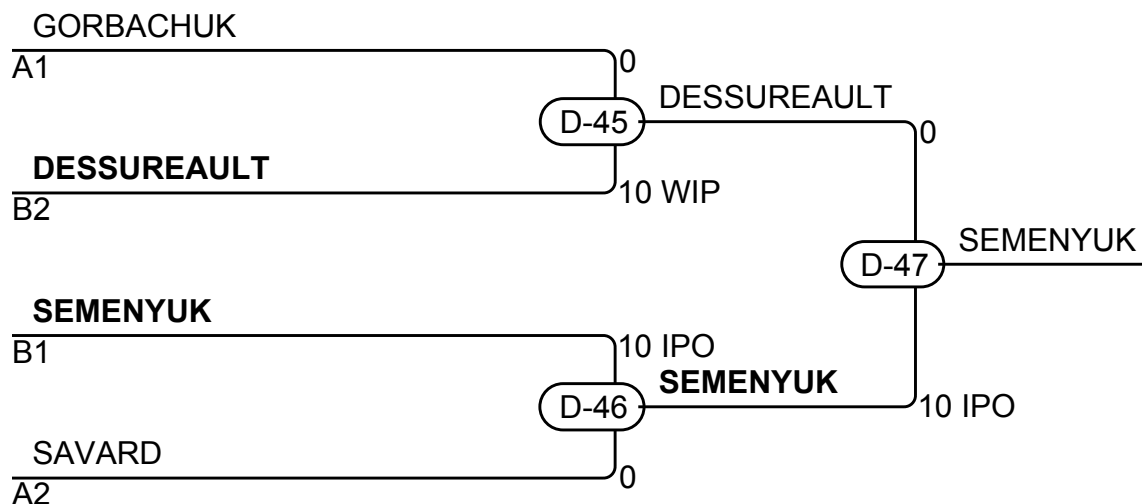
Match	White	Blue	Result	Time	Code
D-31	DOUCET Mathis 1 2	GORBACHUK Lucca	0 - 10	0:14	IPO
D-32	BEAULAC Éliot 3 4	SAVARD Isaac	0 - 10	0:07	IPO
D-36	DOUCET Mathis 1 3	BEAULAC Éliot	7 - 0	3:00	WAZ
D-37	GORBACHUK Lucca 2 4	SAVARD Isaac	10 - 0	0:11	HAN
D-41	DOUCET Mathis 1 4	SAVARD Isaac	0 - 10	0:12	IPO
D-42	GORBACHUK Lucca 2 3	BEAULAC Éliot	10 - 0	0:59	WIP

## Competitors B

#	Name	Grade	Club	5	6	7	Wins	Pts	Pos
5	DESSUREAULT Victor	2k	jjonquièrre			10	1	10	2
6	SEMENYUK Yuray	3k	Métropolitain	10		10	2	20	1
7	BARIL Tristan	3k	kimewaza				0	0	3

## Matches B

Match	White	Blue	Result	Time	Code
D-33	DESSUREAULT Victor 5 6	SEMENYUK Yuray	0 - 10	0:25	IPO
D-38	DESSUREAULT Victor 5 7	BARIL Tristan	10 - 0	0:00	FUS
D-43	SEMENYUK Yuray 6 7	BARIL Tristan	10 - 0	0:00	FUS



## Results

Pos	Name
1	SEMENYUK Yuray, Métropolitain
2	DESSUREAULT Victor, jjonquièrre
3	GORBACHUK Lucca, St-Jean-Bosco
3	SAVARD Isaac, jjonquièrre



# CDH 2016 15 octobre PEPS U14M -60VB

Competitors: 2

## Competitors

#	Name	Grade	Club	1	2	1	2	1	2	Wins	Pts	Pos
1	LAVALLÉE Clément	3k	blainville							0	0	2
2	ANDRIAMANANA Faniry Michael	2k	St-Hyacinthe	10		10				2	20	1

## Matches

Match	White			Blue	Result	Time	Code
D-30	LAVALLÉE Clément	1	2	ANDRIAMANANA Faniry Michael	0 - 10	0:38	IPO
D-35	LAVALLÉE Clément	1	2	ANDRIAMANANA Faniry Michael	0 - 10	0:42	IPO
D-40	LAVALLÉE Clément	1	2	ANDRIAMANANA Faniry Michael			

## Results

Pos	Name
1	ANDRIAMANANA Faniry Michael, St-Hyacinthe
2	LAVALLÉE Clément, blainville

# CDH 2016 15 octobre PEPS U14M +66JO

Competitors: 3

## Competitors

#	Name	Grade	Club	1	2	3	Wins	Pts	Pos
1	BELAL Rayan	4k+	olympique		10		1	10	2
2	BOUTIN-COTÉ Raphael	4k+	beauport				0	0	3
3	TRIAL Alexandre	5k+	St-Jean-Bosco	10	10		2	20	1

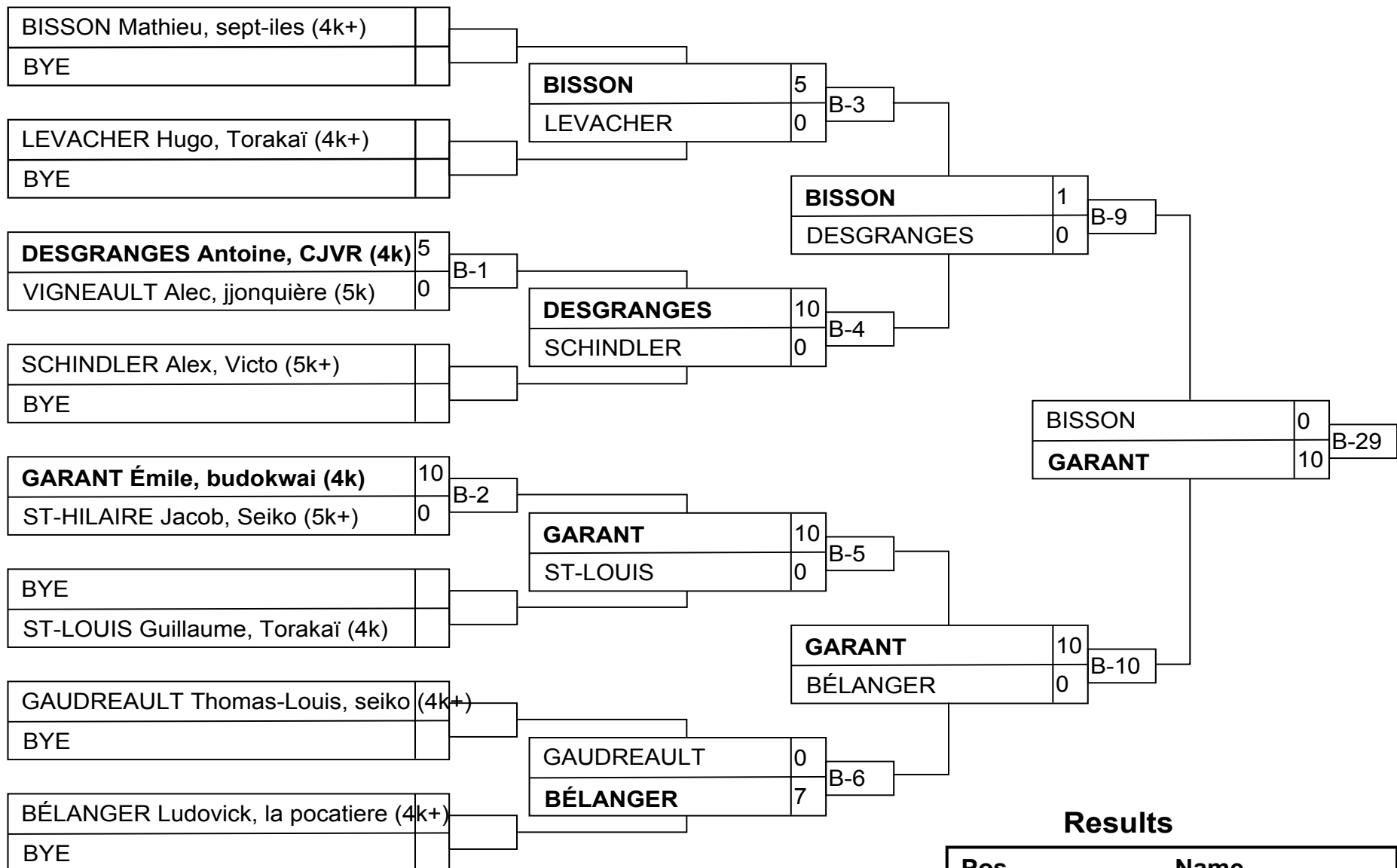
## Matches

Match	White			Blue	Result	Time	Code
B-8	<b>BELAL Rayan</b>	1	2	BOUTIN-COTÉ Raphael	10 - 0	2:20	IPO
B-14	BELAL Rayan	1	3	<b>TRIAL Alexandre</b>	0 - 10	0:52	IPO
B-20	BOUTIN-COTÉ Raphael	2	3	<b>TRIAL Alexandre</b>	0 - 10	0:37	WIP

## Results

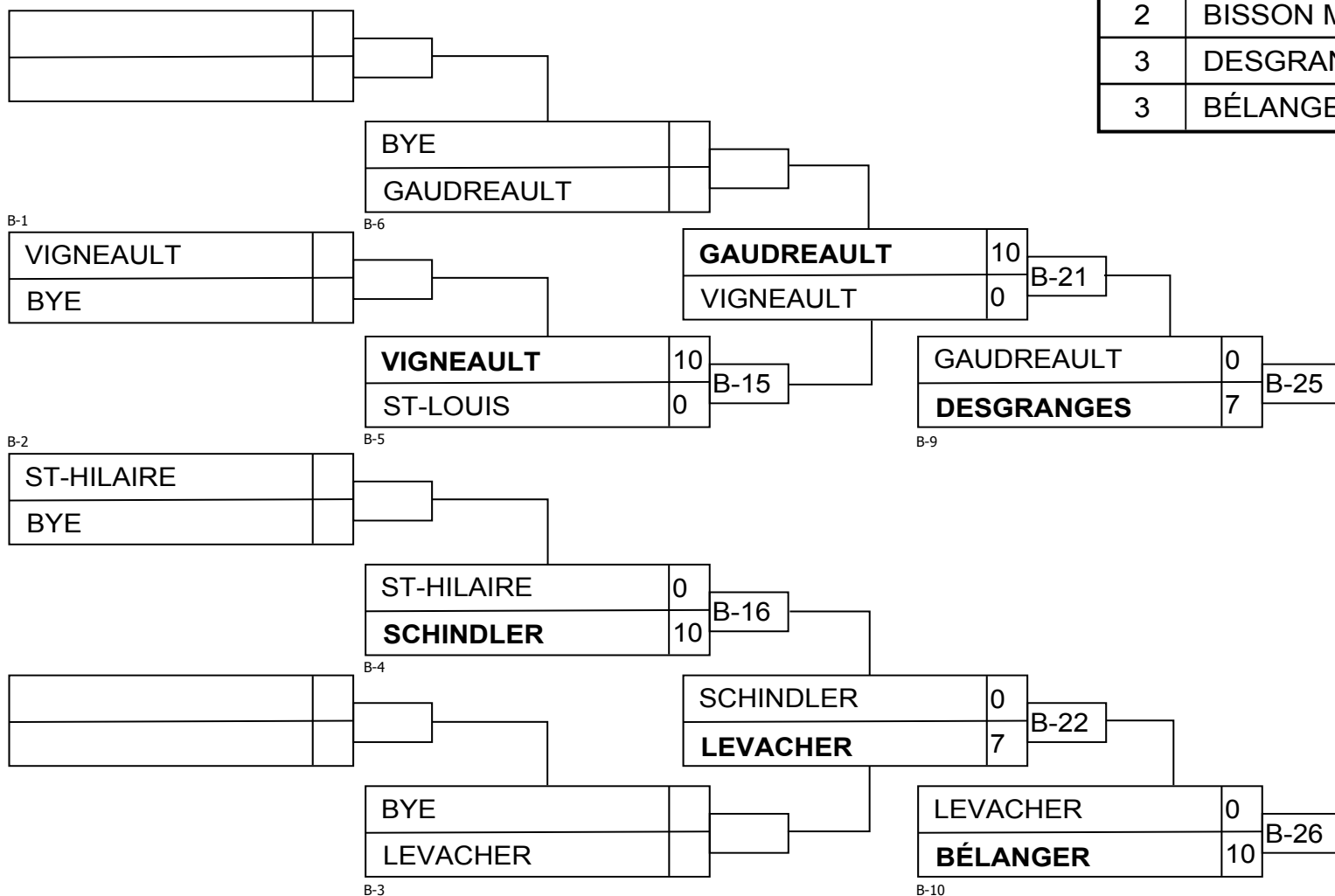
Pos	Name
1	TRIAL Alexandre, St-Jean-Bosco
2	BELAL Rayan, olympique
3	BOUTIN-COTÉ Raphael, beauport

# U14M -31JO

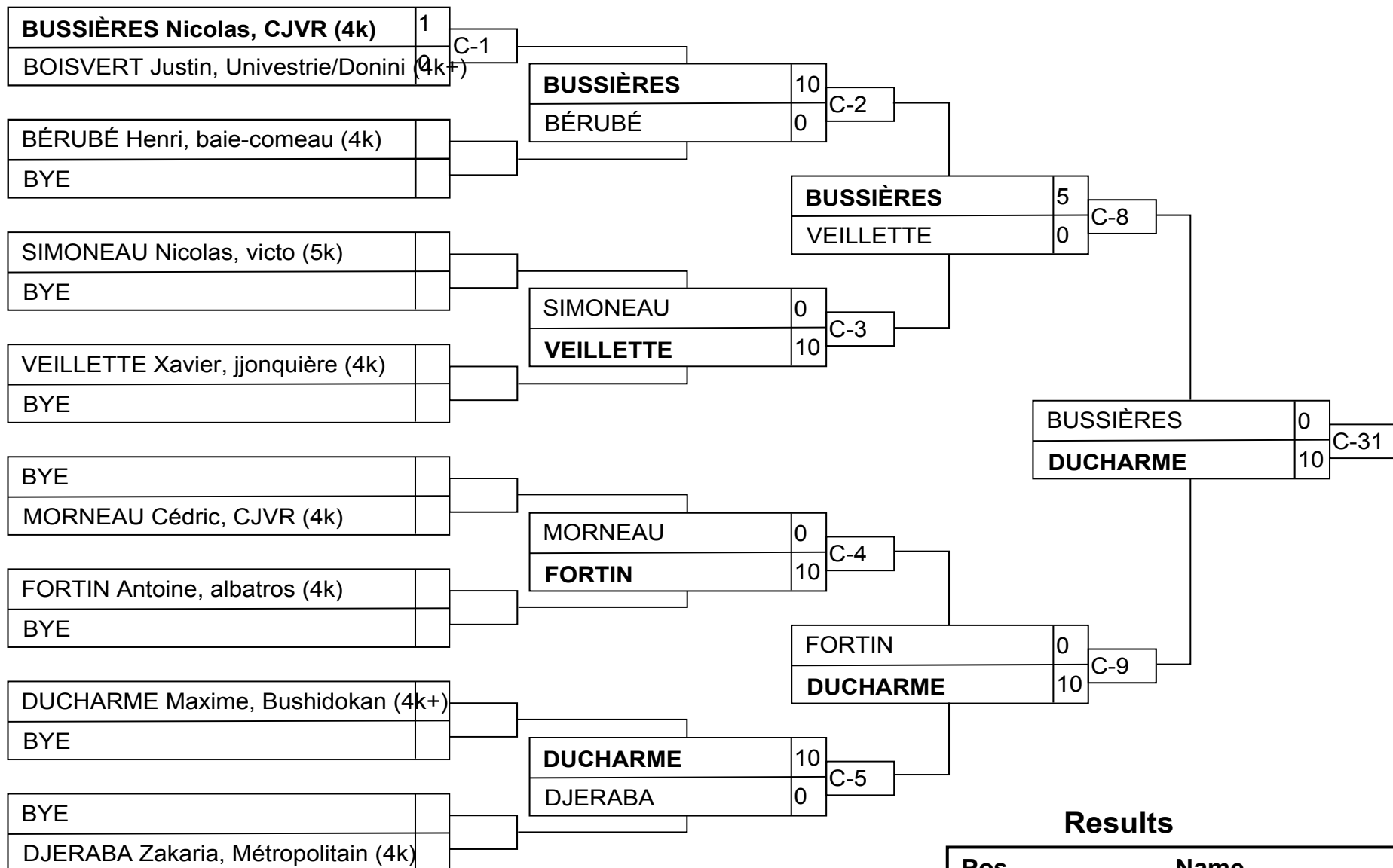


## Results

Pos	Name
1	GARANT Émile, budokwai (4k)
2	BISSON Mathieu, sept-iles (4k+)
3	DESGRANGES Antoine, CJVR (4k)
3	BÉLANGER Ludovick, la pocatiere (4k)

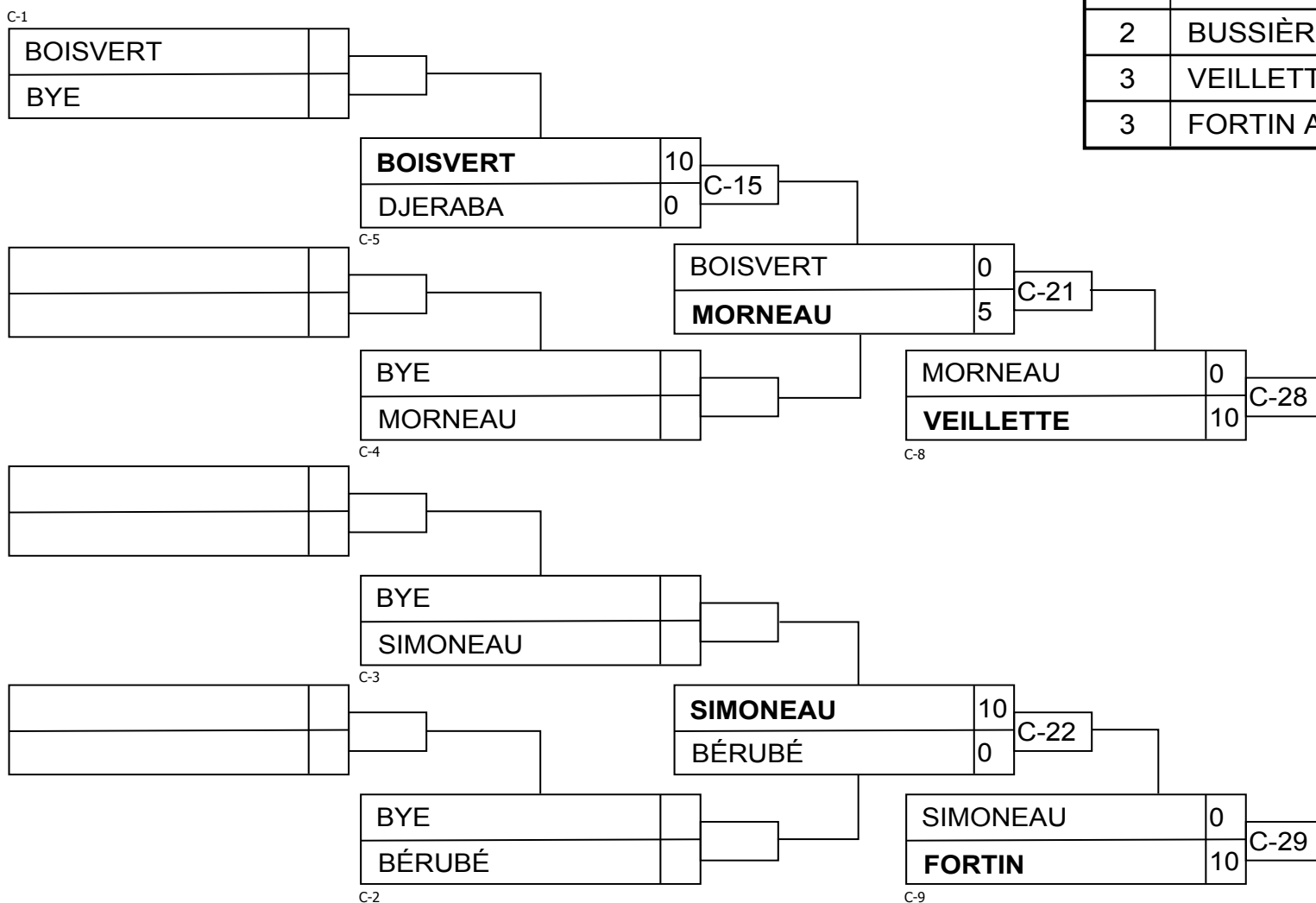


# U14M -34JO



## Results

Pos	Name
1	DUCHARME Maxime, Bushidokan (4k+)
2	BUSSIÈRES Nicolas, CJVR (4k)
3	VEILLETTE Xavier, jjonquière (4k)
3	FORTIN Antoine, albatros (4k)



# CDH 2016 15 octobre PEPS U14M -38JO

Competitors: 5

## Competitors

#	Name	Grade	Club	1	2	3	4	5	Wins	Pts	Pos
1	BEAUDRY Justin	4k+	St-Hyacinthe						0	0	5
2	PIQUETTE Zachary	5k+	seiko	10		10	10		3	30	2
3	SIMARD Steven	5k+	SAKURA	10					1	10	4
4	DOYON Louis	4k	Univestrie/Donini	10		10			2	20	3
5	ROY oscar	4k+	bushidokan	10	10	10	10		4	40	1

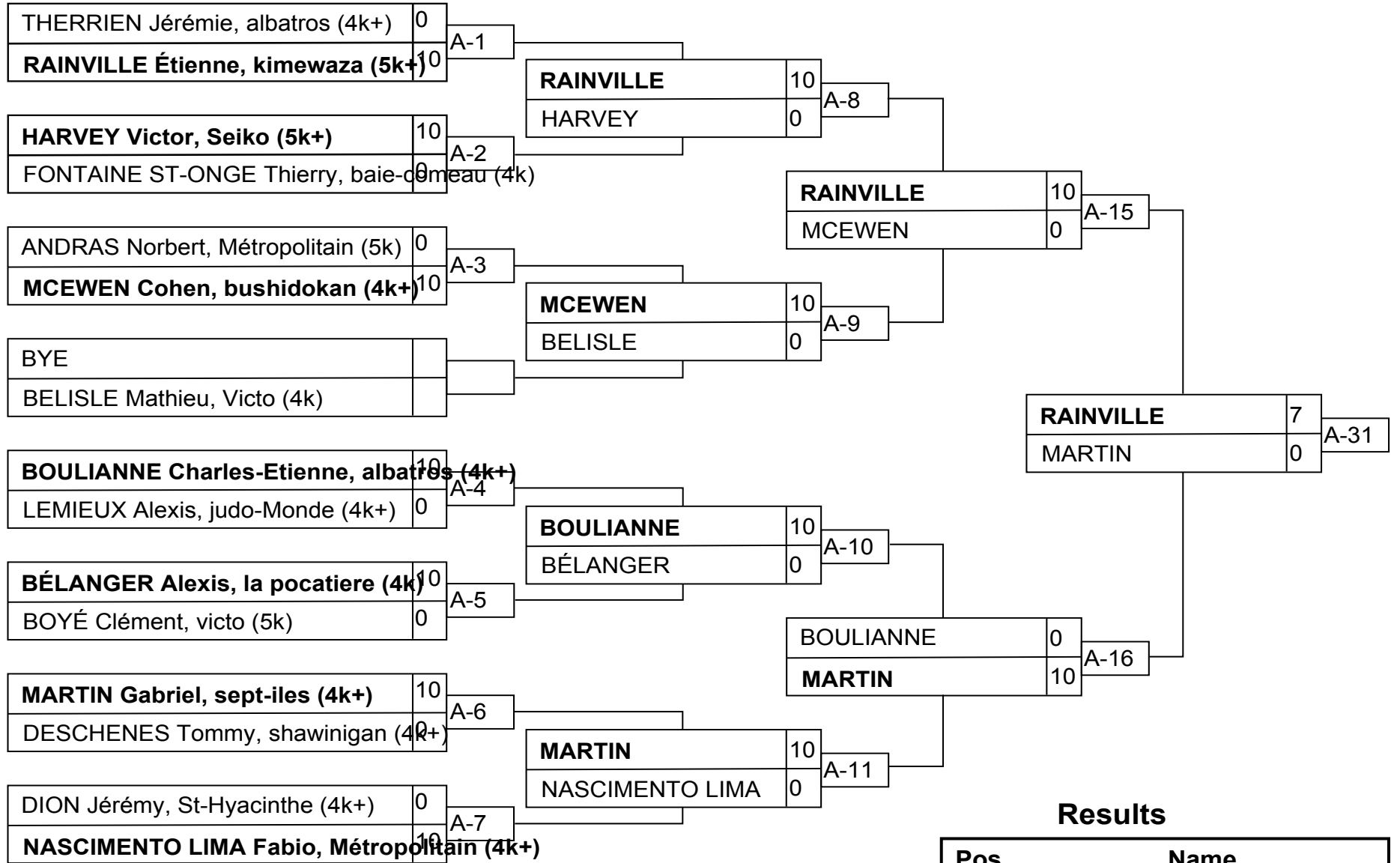
## Matches

Match	White			Blue	Result	Time	Code
D-1	DOYON Louis	4	5	ROY oscar	0 - 10	1:29	IPO
D-2	BEAUDRY Justin	1	2	PIQUETTE Zachary	0 - 10	2:51	IPO
D-5	SIMARD Steven	3	4	DOYON Louis	0 - 10	0:34	WIP
D-6	BEAUDRY Justin	1	5	ROY oscar	0 - 10	0:55	IPO
D-9	PIQUETTE Zachary	2	3	SIMARD Steven	10 - 0	1:09	IPO
D-10	BEAUDRY Justin	1	4	DOYON Louis	0 - 10	0:15	WIP
D-15	SIMARD Steven	3	5	ROY oscar	0 - 10	0:05	IPO
D-16	PIQUETTE Zachary	2	4	DOYON Louis	10 - 0	0:56	WIP
D-21	BEAUDRY Justin	1	3	SIMARD Steven	0 - 10	0:00	FUS
D-22	PIQUETTE Zachary	2	5	ROY oscar	0 - 10	1:53	WIP

## Results

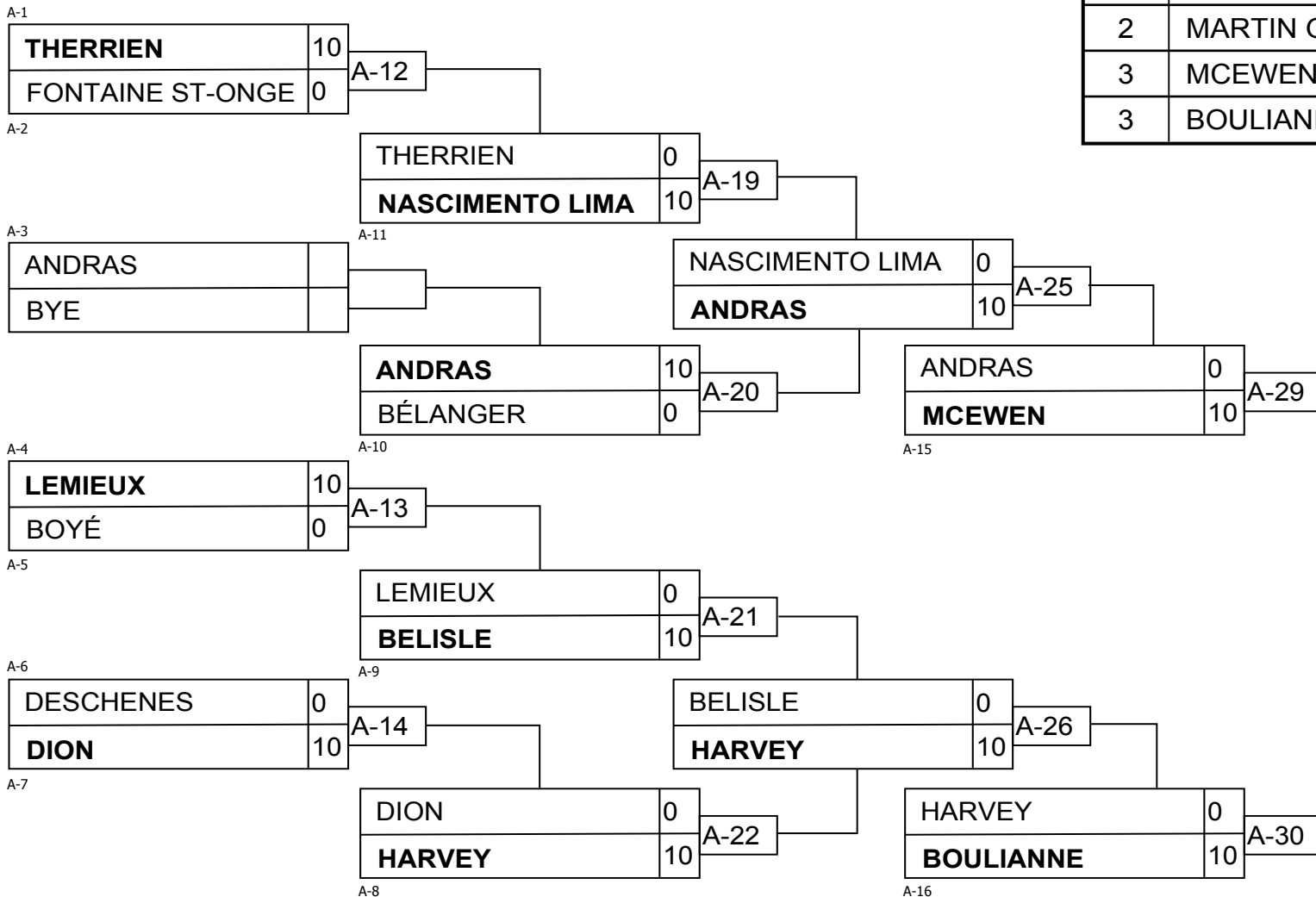
Pos	Name
1	ROY oscar, bushidokan
2	PIQUETTE Zachary, seiko
3	DOYON Louis, Univestrie/Donini
4	SIMARD Steven, SAKURA
5	BEAUDRY Justin, St-Hyacinthe

# U14M -42JO



## Results

Pos	Name
1	RAINVILLE Étienne, kimewaza (5k+)
2	MARTIN Gabriel, sept-iles (4k+)
3	MCEWEN Cohen, bushidokan (4k+)
3	BOULIANNE Charles-Etienne, albatros (4k+)



# CDH 2016 15 octobre PEPS U14M -46JO

Competitors: 6

## Competitors A

#	Name	Grade	Club	1	2	3	Wins	Pts	Pos
1	MOORJANI-HOULE Noah	4k	St-Jean-Bosco			10	1	10	2
2	SHAPORIN Artem	4k+	Métropolitain	10		10	2	20	1
3	BUREAU Xavier	4k+	ghishintaido				0	0	3

## Matches A

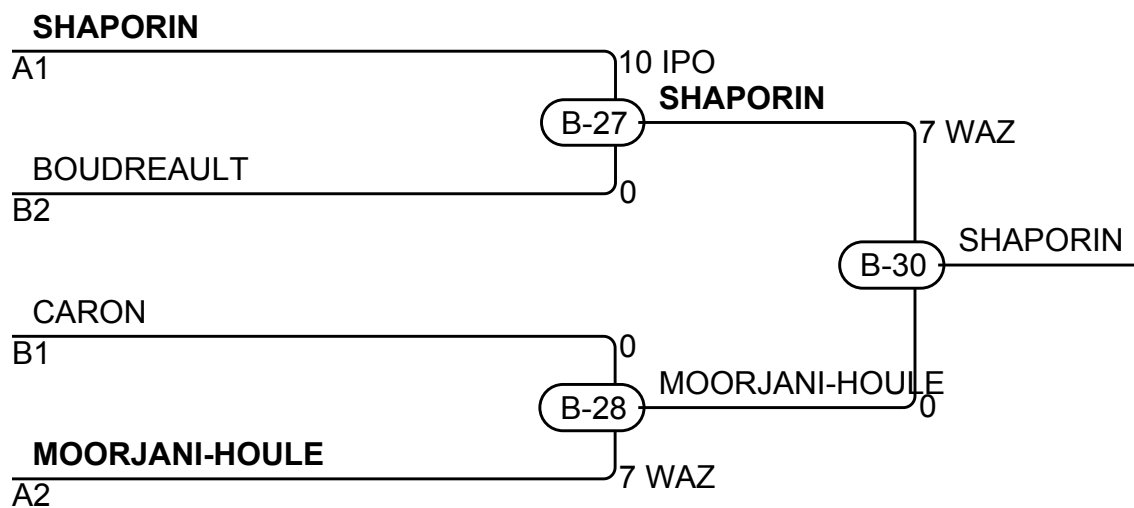
Match	White	Blue	Result	Time	Code
B-11	MOORJANI-HOULE Noah 1 2	SHAPORIN Artem	0 - 10	1:08	IPO
B-17	MOORJANI-HOULE Noah 1 3	BUREAU Xavier	10 - 0	1:32	IPO
B-23	SHAPORIN Artem 2 3	BUREAU Xavier	10 - 0	0:05	IPO

## Competitors B

#	Name	Grade	Club	4	5	6	Wins	Pts	Pos
4	MALTAIS William	4k	sept-iles			7	1	7	3
5	BOUDREAULT Frederic	4k	seiko	10			1	10	2
6	CARON Vincent	4k	ghishintaido		10		1	10	1

## Matches B

Match	White	Blue	Result	Time	Code
B-12	MALTAIS William 4 5	BOUDREAULT Frederic	0 - 10	1:38	WIP
B-18	MALTAIS William 4 6	CARON Vincent	7 - 0	3:00	WAZ
B-24	BOUDREAULT Frederic 5 6	CARON Vincent	0 - 10	2:01	WIP



## Results

Pos	Name
1	SHAPORIN Artem, Métropolitain
2	MOORJANI-HOULE Noah, St-Jean-Bosco
3	BOUDREAULT Frederic, seiko
3	CARON Vincent, ghishintaido

# CDH 2016 15 octobre PEPS U14M -50JO

Competitors: 4

## Competitors

#	Name	Grade	Club	1	2	3	4	Wins	Pts	Pos
1	SMITH Edouard	4k	vieille Capitale		10	1		2	11	2
2	CARTIER Maxime	5k	zenshin					0	0	4
3	LOYER BRIEN Eloic	4k	St-Hyacinthe		7			1	7	3
4	DUCEPPE Vincent	4k+	Judo Ben	10	10	10		3	30	1

## Matches

Match	White			Blue	Result	Time	Code
C-10	<b>SMITH Edouard</b>	1	2	CARTIER Maxime	10 - 0	0:46	IPO
C-11	LOYER BRIEN Eloic	3	4	<b>DUCEPPE Vincent</b>	0 - 10	2:16	WIP
C-16	<b>SMITH Edouard</b>	1	3	LOYER BRIEN Eloic	1 - 0	3:00	YUS
C-17	CARTIER Maxime	2	4	<b>DUCEPPE Vincent</b>	0 - 10	0:48	IPO
C-23	SMITH Edouard	1	4	<b>DUCEPPE Vincent</b>	0 - 10	0:23	IPO
C-24	CARTIER Maxime	2	3	<b>LOYER BRIEN Eloic</b>	0 - 7	3:00	WAZ

## Results

Pos	Name
1	DUCEPPE Vincent, Judo Ben
2	SMITH Edouard, vieille Capitale
3	LOYER BRIEN Eloic, St-Hyacinthe
4	CARTIER Maxime, zenshin



# CDH 2016 15 octobre PEPS U14M -55JO

Competitors: 5

## Competitors

#	Name	Grade	Club	1	2	3	4	5	Wins	Pts	Pos
1	VILLENEUVE Francis	4k+	sept-iles						0	0	5
2	MARCOUILLER Jordan	4k+	ghishintaido	10			10	10	3	30	2
3	BLACKBURN David	4k+	jjonquière	10	10		10	10	4	40	1
4	PELLETIER Alexandre	4k	Judo-tani	10				10	2	20	3
5	LAPORTE William	4k	kimewaza	10					1	10	4

## Matches

Match	White			Blue	Result	Time	Code
D-3	<b>PELLETIER Alexandre</b>	4	5	LAPORTE William	10 - 0	0:59	WIP
D-4	VILLENEUVE Francis	1	2	<b>MARCOUILLER Jordan</b>	0 - 10	1:16	IPO
D-7	<b>BLACKBURN David</b>	3	4	PELLETIER Alexandre	10 - 0	0:54	IPO
D-8	VILLENEUVE Francis	1	5	<b>LAPORTE William</b>	0 - 10	0:34	IPO
D-11	MARCOUILLER Jordan	2	3	<b>BLACKBURN David</b>	0 - 10	0:59	WIP
D-12	VILLENEUVE Francis	1	4	<b>PELLETIER Alexandre</b>	0 - 10	0:51	IPO
D-17	<b>BLACKBURN David</b>	3	5	LAPORTE William	10 - 0	0:25	KIK
D-18	<b>MARCOUILLER Jordan</b>	2	4	PELLETIER Alexandre	10 - 0	0:26	IPO
D-23	VILLENEUVE Francis	1	3	<b>BLACKBURN David</b>	0 - 10	0:14	IPO
D-24	<b>MARCOUILLER Jordan</b>	2	5	LAPORTE William	10 - 0	1:42	IPO

## Results

Pos	Name
1	BLACKBURN David, jjonquière
2	MARCOUILLER Jordan, ghishintaido
3	PELLETIER Alexandre, Judo-tani
4	LAPORTE William, kimewaza
5	VILLENEUVE Francis, sept-iles

# CDH 2016 15 octobre PEPS U14M -66JO

Competitors: 3

## Competitors

#	Name	Grade	Club	1	2	3	Wins	Pts	Pos
1	LEFEBVRE Justin	5k+	asbestos				0	0	3
2	LANDRY Xavier	4k	victo	10			1	10	2
3	NERON Pascal	4k+	St-Jean-Bosco	10	10		2	20	1

## Matches

Match	White			Blue	Result	Time	Code
A-18	LEFEBVRE Justin	1	2	<b>LANDRY Xavier</b>	0 - 10	1:14	WIP
A-24	LEFEBVRE Justin	1	3	<b>NERON Pascal</b>	0 - 10	0:23	WIP
A-28	LANDRY Xavier	2	3	<b>NERON Pascal</b>	0 - 10	0:04	IPO

## Results

Pos	Name
1	NERON Pascal, St-Jean-Bosco
2	LANDRY Xavier, victo
3	LEFEBVRE Justin, asbestos