

U16F -44JO

Compétiteurs/Competitors

| # | Nom/Name | Grade | Club | 1 | 2 | 1 | 2 | 1 | 2 | G/W | Pts | Pos |
|---|-----------------|-------|---------------|----|----|----|----|----|----|-----|-----|-----|
| 1 | ASSELIN Rose | 4k | donini | XX | 5 | XX | | XX | | 1 | 5 | 2 |
| 2 | MATHIEU Camilia | 4k | JSK lateriere | | XX | 5 | XX | 10 | XX | 2 | 15 | 1 |

Matches/Matches

| Match | Blanc/White | | | Bleu/Blue | Rés/Res | Tmp/Tim | Code |
|-------|-----------------|---|---|-----------------|---------|---------|------|
| D-36 | ASSELIN Rose | 1 | 2 | MATHIEU Camilia | 5 - 0 | 3:00 | WAZ |
| D-43 | MATHIEU Camilia | 2 | 1 | ASSELIN Rose | 5 - 0 | 3:00 | WAZ |
| D-50 | ASSELIN Rose | 1 | 2 | MATHIEU Camilia | 0 - 10 | 2:42 | IPO |

Résultats/Results

| Pos | Nom/Name |
|-----|--------------------------------|
| 1 | MATHIEU Camilia, JSK lateriere |
| 2 | ASSELIN Rose, donini |

U16F -44VB

Compétiteurs/Competitors

| # | Nom/Name | Grade | Club | 1 | 2 | 3 | 4 | 5 | G/W | Pts | Pos |
|---|----------------------|-------|------------------|----|----|----|----|----|-----|-----|-----|
| 1 | MANAILA Rébéca | 3k+ | shidokan | XX | 5 | 5 | 10 | 10 | 4 | 30 | 1 |
| 2 | FOREST Iana | 2k+ | beauport | | XX | | 10 | 10 | 2 | 20 | 3 |
| 3 | SEMYROZUN Anastasiya | 3k | ippon | | 10 | XX | 10 | 10 | 3 | 30 | 2 |
| 4 | GAUTHIER Béatrice | 3k | Vieille-Capitale | | | | XX | 10 | 1 | 10 | 4 |
| 5 | LAPINTE Sophie | 2k | Port-Cartier | | | | | XX | 0 | 0 | 5 |

Matches/Matches

| Match | Blanc/White | | | Bleu/Blue | Rés/Res | Tmp/Tim | Code |
|-------|-----------------------------|---|---|-----------------------------|---------|---------|------|
| C-41 | GAUTHIER Béatrice | 4 | 5 | LAPINTE Sophie | 10 - 0 | 2:54 | IPO |
| C-42 | MANAILA Rébéca | 1 | 2 | FOREST Iana | 5 - 0 | 3:00 | WAZ |
| C-45 | SEMYROZUN Anastasiya | 3 | 4 | GAUTHIER Béatrice | 10 - 0 | 1:20 | IPO |
| C-46 | MANAILA Rébéca | 1 | 5 | LAPINTE Sophie | 10 - 0 | 1:35 | KIK |
| C-51 | FOREST Iana | 2 | 3 | SEMYROZUN Anastasiya | 0 - 10 | 0:24 | IPO |
| C-52 | MANAILA Rébéca | 1 | 4 | GAUTHIER Béatrice | 10 - 0 | 2:44 | KIK |
| C-57 | SEMYROZUN Anastasiya | 3 | 5 | LAPINTE Sophie | 10 - 0 | 0:01 | FUS |
| C-58 | FOREST Iana | 2 | 4 | GAUTHIER Béatrice | 10 - 0 | 0:01 | FUS |
| C-63 | MANAILA Rébéca | 1 | 3 | SEMYROZUN Anastasiya | 5 - 0 | 3:00 | WAZ |
| C-64 | FOREST Iana | 2 | 5 | LAPINTE Sophie | 10 - 0 | 0:01 | FUS |

Résultats/Results

| Pos | Nom/Name |
|-----|-------------------------------------|
| 1 | MANAILA Rébéca, shidokan |
| 2 | SEMYROZUN Anastasiya, ippon |
| 3 | FOREST Iana, beauport |
| 4 | GAUTHIER Béatrice, Vieille-Capitale |
| 5 | LAPINTE Sophie, Port-Cartier |

U16F -48JO

Compétiteurs/Competitors A

| # | Nom/Name | Grade | Club | 1 | 2 | 3 | 4 | G/W | Pts | Pos |
|---|-----------------------|-------|------------------|----|----|----|----|-----|-----|-----|
| 1 | DESROCHES Rose-Hélène | 4k | kime-wasa | XX | 10 | 10 | 10 | 3 | 30 | 1 |
| 2 | SAVARD Camille | 5k+ | JSK lateriere | | XX | | | 0 | 0 | 4 |
| 3 | HIRT Marie-soleil | 5k | victo | | 5 | XX | 10 | 2 | 15 | 2 |
| 4 | KLEINDIENT Laura | 4k | Vieille-Capitale | | 10 | | XX | 1 | 10 | 3 |

Matches/Matches A

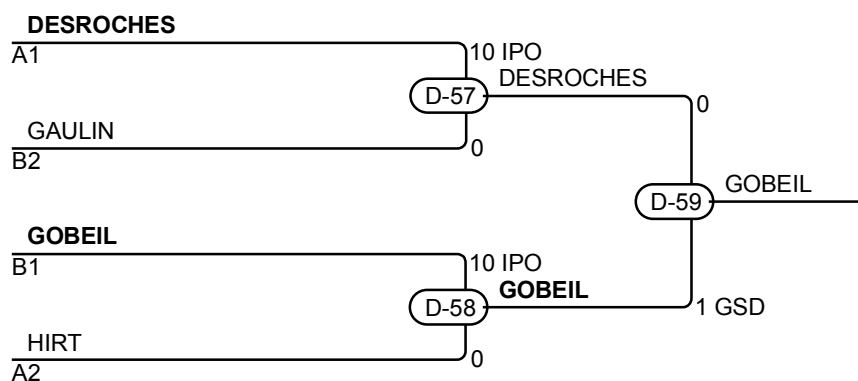
| Match | Blanc/White | Bleu/Blue | Rés/Res | Tmp/Tim | Code |
|-------|---------------------------|-------------------|---------|---------|------|
| D-37 | DESROCHES Rose-Hélène 1 2 | SAVARD Camille | 10 - 0 | 0:53 | IPO |
| D-38 | HIRT Marie-soleil 3 4 | KLEINDIENT Laura | 10 - 0 | 0:45 | IPO |
| D-44 | DESROCHES Rose-Hélène 1 3 | HIRT Marie-soleil | 10 - 0 | 0:10 | IPO |
| D-45 | SAVARD Camille 2 4 | KLEINDIENT Laura | 0 - 10 | 3:00 | IPO |
| D-51 | DESROCHES Rose-Hélène 1 4 | KLEINDIENT Laura | 10 - 0 | 0:07 | IPO |
| D-52 | SAVARD Camille 2 3 | HIRT Marie-soleil | 0 - 5 | 2:33 | WAZ |

Compétiteurs/Competitors B

| # | Nom/Name | Grade | Club | 5 | 6 | 7 | G/W | Pts | Pos |
|---|------------------|-------|---------------|----|----|----|-----|-----|-----|
| 5 | GOBEIL Maude | 4k+ | JSK lateriere | XX | 10 | 10 | 2 | 20 | 1 |
| 6 | ECHAVE Yasmina | 4k | donini | | XX | | 0 | 0 | 3 |
| 7 | GAULIN Katherine | 4k | juvaldo | | 10 | XX | 1 | 10 | 2 |

Matches/Matches B

| Match | Blanc/White | Bleu/Blue | Rés/Res | Tmp/Tim | Code |
|-------|--------------------|------------------|---------|---------|------|
| D-39 | GOBEIL Maude 5 6 | ECHAVE Yasmina | 10 - 0 | 1:06 | IPO |
| D-46 | GOBEIL Maude 5 7 | GAULIN Katherine | 10 - 0 | 1:18 | IPO |
| D-53 | ECHAVE Yasmina 6 7 | GAULIN Katherine | 0 - 10 | 0:34 | IPO |



Résultats/Results

| Pos | Nom/Name |
|-----|----------------------------------|
| 1 | GOBEIL Maude, JSK lateriere |
| 2 | DESROCHES Rose-Hélène, kime-wasa |
| 3 | GAULIN Katherine, juvaldo |
| 3 | HIRT Marie-soleil, victo |

U16F -48VB

Compétiteurs/Competitors

| # | Nom/Name | Grade | Club | 1 | 2 | 3 | 4 | G/W | Pts | Pos |
|---|-------------------------|-------|---------------|----|----|----|----|-----|-----|-----|
| 1 | SIMARD-LEJEUNE Mathilde | 3k | seiko | XX | | 10 | | 1 | 10 | 3 |
| 2 | TURCOTTE Béatrice | 2k | varenes | 10 | XX | 10 | 10 | 3 | 30 | 1 |
| 3 | BOURGET Emilie | 2k | fermont | | | XX | | 0 | 0 | 4 |
| 4 | JOBIN Léa | 3k | JSK lateriere | 10 | | 10 | XX | 2 | 20 | 2 |

Matches/Matches

| Match | Blanc/White | | | Bleu/Blue | Rés/Res | Tmp/Tim | Code |
|-------|--------------------------------|---|---|--------------------------|---------|---------|------|
| C-49 | SIMARD-LEJEUNE Mathilde | 1 | 2 | TURCOTTE Béatrice | 0 - 10 | 2:00 | IPO |
| C-50 | BOURGET Emilie | 3 | 4 | JOBIN Léa | 0 - 10 | 0:42 | IPO |
| C-55 | SIMARD-LEJEUNE Mathilde | 1 | 3 | BOURGET Emilie | 10 - 0 | 0:14 | IPO |
| C-56 | TURCOTTE Béatrice | 2 | 4 | JOBIN Léa | 10 - 0 | 3:00 | IPO |
| C-61 | SIMARD-LEJEUNE Mathilde | 1 | 4 | JOBIN Léa | 0 - 10 | 2:53 | IPO |
| C-62 | TURCOTTE Béatrice | 2 | 3 | BOURGET Emilie | 10 - 0 | 0:58 | IPO |

Résultats/Results

| Pos | Nom/Name |
|-----|--------------------------------|
| 1 | TURCOTTE Béatrice, varenes |
| 2 | JOBIN Léa, JSK lateriere |
| 3 | SIMARD-LEJEUNE Mathilde, seiko |
| 4 | BOURGET Emilie, fermont |

U16F -52JO

Compétiteurs/Competitors

| # | Nom/Name | Grade | Club | 1 | 2 | 3 | G/W | Pts | Pos |
|---|------------------|-------|---------------|----|----|----|-----|-----|-----|
| 1 | LABELLE Océanne | 4k | zenshin | XX | 10 | 10 | 2 | 20 | 1 |
| 2 | MORIN Sarah | 4k | JSK lateriere | | XX | 10 | 1 | 10 | 2 |
| 3 | MORIN Frédérique | 5k+ | kime-wasa | | | XX | 0 | 0 | 3 |

Matches/Matches

| Match | Blanc/White | | | Bleu/Blue | Rés/Res | Tmp/Tim | Code |
|-------|-----------------|---|---|------------------|---------|---------|------|
| D-42 | LABELLE Océanne | 1 | 2 | MORIN Sarah | 10 - 0 | 1:08 | IPO |
| D-49 | LABELLE Océanne | 1 | 3 | MORIN Frédérique | 10 - 0 | 1:09 | IPO |
| D-56 | MORIN Sarah | 2 | 3 | MORIN Frédérique | 10 - 0 | 1:19 | IPO |

Résultats/Results

| Pos | Nom/Name |
|-----|-----------------------------|
| 1 | LABELLE Océanne, zenshin |
| 2 | MORIN Sarah, JSK lateriere |
| 3 | MORIN Frédérique, kime-wasa |

U16F -52VB

Compétiteurs/Competitors

| # | Nom/Name | Grade | Club | 1 | 2 | 3 | 4 | 5 | G/W | Pts | Pos |
|---|----------------------|-------|---------------|----|----|----|----|----|-----|-----|-----|
| 1 | HORAK Léonarda | 2k | shidokan | XX | 5 | 10 | | 10 | 3 | 25 | 1 |
| 2 | GINGRAS Marie-Pierre | 3k | beauport | | XX | 10 | 10 | 5 | 3 | 25 | 2 |
| 3 | HUARD Élodie | 3k | JJ | | | XX | | | 0 | 0 | 5 |
| 4 | AKOMO-MVOLO keren-ha | 3k | st-jean-bosco | 5 | | 10 | XX | 5 | 3 | 20 | 3 |
| 5 | MICHAUD-DUGUAY Naomi | 3k | sept-iles | | | 10 | | XX | 1 | 10 | 4 |

Matches/Matches

| Match | Blanc/White | | | Bleu/Blue | Rés/Res | Tmp/Tim | Code |
|-------|-----------------------------|---|---|-----------------------------|---------|---------|------|
| A-15 | AKOMO-MVOLO keren-ha | 4 | 5 | MICHAUD-DUGUAY Naomi | 5 - 0 | 3:00 | WAZ |
| A-16 | HORAK Léonarda | 1 | 2 | GINGRAS Marie-Pierre | 5 - 0 | 3:00 | WAZ |
| A-19 | HUARD Élodie | 3 | 4 | AKOMO-MVOLO keren-ha | 0 - 10 | 0:57 | IPO |
| A-20 | HORAK Léonarda | 1 | 5 | MICHAUD-DUGUAY Naomi | 10 - 0 | 2:07 | IPO |
| A-25 | GINGRAS Marie-Pierre | 2 | 3 | HUARD Élodie | 10 - 0 | 0:13 | IPO |
| A-26 | HORAK Léonarda | 1 | 4 | AKOMO-MVOLO keren-ha | 0 - 5 | 3:09 | GSW |
| A-29 | HUARD Élodie | 3 | 5 | MICHAUD-DUGUAY Naomi | 0 - 10 | 1:42 | IPO |
| A-30 | GINGRAS Marie-Pierre | 2 | 4 | AKOMO-MVOLO keren-ha | 10 - 0 | 1:37 | IPO |
| A-35 | HORAK Léonarda | 1 | 3 | HUARD Élodie | 10 - 0 | 1:08 | IPO |
| A-36 | GINGRAS Marie-Pierre | 2 | 5 | MICHAUD-DUGUAY Naomi | 5 - 0 | 3:00 | WAZ |

Résultats/Results

| Pos | Nom/Name |
|-----|-------------------------------------|
| 1 | HORAK Léonarda, shidokan |
| 2 | GINGRAS Marie-Pierre, beauport |
| 3 | AKOMO-MVOLO keren-ha, st-jean-bosco |
| 4 | MICHAUD-DUGUAY Naomi, sept-iles |
| 5 | HUARD Élodie, JJ |

U16F -57VB

Compétiteurs/Competitors A

| # | Nom/Name | Grade | Club | 1 | 2 | 3 | 4 | G/W | Pts | Pos |
|---|-------------------|-------|------------|----|----|----|----|-----|-----|-----|
| 1 | SALVAS Florence | 2k | varenes | XX | 10 | 10 | 10 | 3 | 30 | 1 |
| 2 | PORLIER Léa | 1k | sept-iles | | XX | | 10 | 1 | 10 | 3 |
| 3 | BOLTÉ Rose | 2k | mont-bruno | | 10 | XX | 10 | 2 | 20 | 2 |
| 4 | PELLETIER Daphnée | 3k | amqui | | | | XX | 0 | 0 | 4 |

Matches/Matches A

| Match | Blanc/White | Bleu/Blue | Rés/Res | Tmp/Tim | Code |
|-------|-----------------|-----------------------|---------|---------|------|
| B-46 | SALVAS Florence | 1 2 PORLIER Léa | 10 - 0 | 2:34 | IPO |
| B-47 | BOLTÉ Rose | 3 4 PELLETIER Daphnée | 10 - 0 | 0:34 | IPO |
| B-50 | SALVAS Florence | 1 3 BOLTÉ Rose | 10 - 0 | 0:57 | IPO |
| B-51 | PORLIER Léa | 2 4 PELLETIER Daphnée | 10 - 0 | 0:01 | FUS |
| B-55 | SALVAS Florence | 1 4 PELLETIER Daphnée | 10 - 0 | 0:01 | FUS |
| B-56 | PORLIER Léa | 2 3 BOLTÉ Rose | 0 - 10 | 1:30 | IPO |

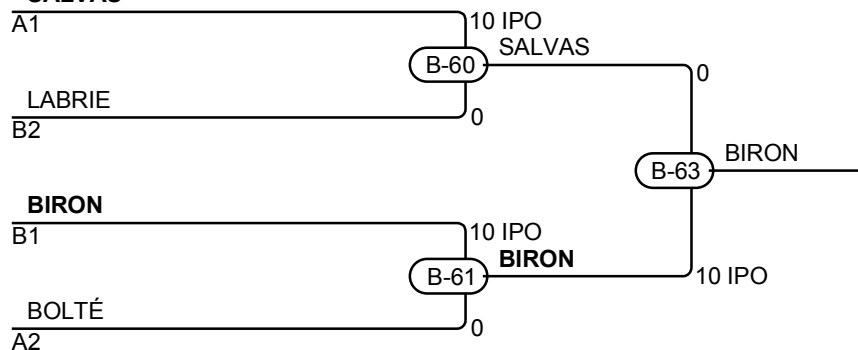
Compétiteurs/Competitors B

| # | Nom/Name | Grade | Club | 5 | 6 | 7 | G/W | Pts | Pos |
|---|---------------------|-------|-----------|----|----|----|-----|-----|-----|
| 5 | PAQUET Myriam | 3k | Judoben | XX | | | 0 | 0 | 3 |
| 6 | LABRIE Marie-Pierre | 2k | sept-iles | 10 | XX | | 1 | 10 | 2 |
| 7 | BIRON Laurence | 2k+ | varenes | 10 | 10 | XX | 2 | 20 | 1 |

Matches/Matches B

| Match | Blanc/White | Bleu/Blue | Rés/Res | Tmp/Tim | Code |
|-------|---------------------|-------------------------|---------|---------|------|
| B-47A | PAQUET Myriam | 5 6 LABRIE Marie-Pierre | 0 - 10 | 1:16 | IPO |
| B-51A | PAQUET Myriam | 5 7 BIRON Laurence | 0 - 10 | 0:52 | IPO |
| B-56A | LABRIE Marie-Pierre | 6 7 BIRON Laurence | 0 - 10 | 2:42 | IPO |

SALVAS



Résultats/Results

| Pos | Nom/Name |
|-----|--------------------------------|
| 1 | BIRON Laurence, varenes |
| 2 | SALVAS Florence, varenes |
| 3 | LABRIE Marie-Pierre, sept-iles |
| 3 | BOLTÉ Rose, mont-bruno |

U16F -63JO

Compétiteurs/Competitors

| # | Nom/Name | Grade | Club | 1 | 2 | 1 | 2 | 1 | 2 | G/W | Pts | Pos |
|---|-------------------|-------|------------|----|----|----|----|----|----|-----|-----|-----|
| 1 | ST-ARNAUD Léa | 5k+ | seikidokan | XX | 10 | XX | 10 | XX | | 2 | 20 | 1 |
| 2 | BELLENGER Maeline | 4k | donini | | XX | | XX | | XX | 0 | 0 | 2 |

Matches/Matches

| Match | Blanc/White | | | Bleu/Blue | Rés/Res | Tmp/Tim | Code |
|-------|-------------------|---|---|-------------------|---------|---------|------|
| A-50 | ST-ARNAUD Léa | 1 | 2 | BELLENGER Maeline | 10 - 0 | 0:20 | IPO |
| A-54 | BELLENGER Maeline | 2 | 1 | ST-ARNAUD Léa | 0 - 10 | 0:45 | IPO |
| A-58 | ST-ARNAUD Léa | 1 | 2 | BELLENGER Maeline | | | |

Résultats/Results

| Pos | Nom/Name |
|-----|---------------------------|
| 1 | ST-ARNAUD Léa, seikidokan |
| 2 | BELLENGER Maeline, donini |

U16F -63VB

Compétiteurs/Competitors

| # | Nom/Name | Grade | Club | 1 | 2 | 3 | 4 | G/W | Pts | Pos |
|---|--------------------|-------|--------------|----|----|----|----|-----|-----|-----|
| 1 | ST-LAURENT Miranda | 3k | Torakai | XX | | 10 | 5 | 2 | 15 | 2 |
| 2 | BRAZEAU Myriam | 2k | perrot shima | 10 | XX | 10 | 10 | 3 | 30 | 1 |
| 3 | SALLAMI Somaya | 2k | beauport | | | XX | 5 | 1 | 5 | 3 |
| 4 | FILION Noémie | 2k+ | JJ | | | | XX | 0 | 0 | 4 |

Matches/Matches

| Match | Blanc/White | | | Bleu/Blue | Rés/Res | Tmp/Tim | Code |
|-------|--------------------|---|---|----------------|---------|---------|------|
| C-22 | ST-LAURENT Miranda | 1 | 2 | BRAZEAU Myriam | 0 - 10 | 1:04 | IPO |
| C-23 | SALLAMI Somaya | 3 | 4 | FILION Noémie | 5 - 0 | 3:00 | WAZ |
| C-29 | ST-LAURENT Miranda | 1 | 3 | SALLAMI Somaya | 10 - 0 | 1:38 | IPO |
| C-30 | BRAZEAU Myriam | 2 | 4 | FILION Noémie | 10 - 0 | 0:27 | IPO |
| C-34 | ST-LAURENT Miranda | 1 | 4 | FILION Noémie | 5 - 0 | 3:00 | WAZ |
| C-35 | BRAZEAU Myriam | 2 | 3 | SALLAMI Somaya | 10 - 0 | 2:26 | IPO |

Résultats/Results

| Pos | Nom/Name |
|-----|------------------------------|
| 1 | BRAZEAU Myriam, perrot shima |
| 2 | ST-LAURENT Miranda, Torakai |
| 3 | SALLAMI Somaya, beauport |
| 4 | FILION Noémie, JJ |

U16F -70VB

Compétiteurs/Competitors

| # | Nom/Name | Grade | Club | 1 | 2 | 1 | 2 | 1 | 2 | G/W | Pts | Pos |
|---|--------------|-------|---------------|----|----|----|----|----|----|-----|-----|-----|
| 1 | GARNEAU Anne | 2k | lévis | XX | | XX | | XX | | 0 | 0 | 2 |
| 2 | NORMIL Lara | 2k | métropolitain | 10 | XX | 10 | XX | | XX | 2 | 20 | 1 |

Matches/Matches

| Match | Blanc/White | | | Bleu/Blue | Rés/Res | Tmp/Tim | Code |
|-------|--------------|---|---|--------------|---------|---------|------|
| B-48 | GARNEAU Anne | 1 | 2 | NORMIL Lara | 0 - 10 | 1:59 | IPO |
| B-52 | NORMIL Lara | 2 | 1 | GARNEAU Anne | 10 - 0 | 0:19 | IPO |
| B-57 | GARNEAU Anne | 1 | 2 | NORMIL Lara | | | |

Résultats/Results

| Pos | Nom/Name |
|-----|----------------------------|
| 1 | NORMIL Lara, métropolitain |
| 2 | GARNEAU Anne, lévis |

U16F +70JO

Compétiteurs/Competitors

| # | Nom/Name | Grade | Club | 1 | 2 | 1 | 2 | 1 | 2 | G/W | Pts | Pos |
|---|-------------------|-------|--------|----|----|----|----|----|----|-----|-----|-----|
| 1 | CORBEIL Julianne | 4k | CJBC | XX | | XX | | XX | | 0 | 0 | 2 |
| 2 | FOREST Frédérique | 4k | kiseki | 10 | XX | 10 | XX | | XX | 2 | 20 | 1 |

Matches/Matches

| Match | Blanc/White | | | Bleu/Blue | Rés/Res | Tmp/Tim | Code |
|-------|-------------------|---|---|-------------------|---------|---------|------|
| A-51 | CORBEIL Julianne | 1 | 2 | FOREST Frédérique | 0 - 10 | 1:22 | IPO |
| A-55 | FOREST Frédérique | 2 | 1 | CORBEIL Julianne | 10 - 0 | 0:13 | IPO |
| A-59 | CORBEIL Julianne | 1 | 2 | FOREST Frédérique | | | |

Résultats/Results

| Pos | Nom/Name |
|-----|---------------------------|
| 1 | FOREST Frédérique, kiseki |
| 2 | CORBEIL Julianne, CJBC |

U16F +70VB

Compétiteurs/Competitors

| # | Nom/Name | Grade | Club | 1 | G/W | Pts | Pos |
|---|-----------------|-------|----------|----|-----|-----|-----|
| 1 | LEFEBVRE Élodie | 3k | asbestos | XX | 0 | 0 | 1 |

Matches/Matches

| Match | Blanc/White | Bleu/Blue | Rés/Res | Tmp/Tim | Code |
|-------|-------------|-----------|---------|---------|------|
|-------|-------------|-----------|---------|---------|------|

Résultats/Results

| Pos | Nom/Name |
|-----|---------------------------|
| 1 | LEFEBVRE Élodie, asbestos |

U16M -38JO

Compétiteurs/Competitors

| # | Nom/Name | Grade | Club | 1 | 2 | 3 | 4 | 5 | G/W | Pts | Pos |
|---|-----------------|-------|-----------|----|----|----|----|----|-----|-----|-----|
| 1 | SAVARD Matis | 4k+ | zenshin | XX | | | | | 0 | 0 | 5 |
| 2 | OUELLET Charles | 4k+ | shidokan | 10 | XX | | 10 | 10 | 3 | 30 | 2 |
| 3 | FORTIN Antoine | 4k+ | albatros | 10 | 10 | XX | 10 | 5 | 4 | 35 | 1 |
| 4 | BISSON Mathieu | 4k+ | sept-iles | 5 | | | XX | | 1 | 5 | 4 |
| 5 | OUELLET William | 4k+ | shidokan | 10 | | | 10 | XX | 2 | 20 | 3 |

Matches/Matches

| Match | Blanc/White | | | Bleu/Blue | Rés/Res | Tmp/Tim | Code |
|-------|------------------------|---|---|-----------------------|---------|---------|------|
| C-39 | BISSON Mathieu | 4 | 5 | OUELLET William | 0 - 10 | 0:40 | IPO |
| C-40 | SAVARD Matis | 1 | 2 | OUELLET Charles | 0 - 10 | 0:10 | IPO |
| C-43 | FORTIN Antoine | 3 | 4 | BISSON Mathieu | 10 - 0 | 0:56 | IPO |
| C-44 | SAVARD Matis | 1 | 5 | OUELLET William | 0 - 10 | 0:38 | IPO |
| C-47 | OUELLET Charles | 2 | 3 | FORTIN Antoine | 0 - 10 | 2:32 | IPO |
| C-48 | SAVARD Matis | 1 | 4 | BISSON Mathieu | 0 - 5 | 3:00 | WAZ |
| C-53 | FORTIN Antoine | 3 | 5 | OUELLET William | 5 - 0 | 3:00 | WAZ |
| C-54 | OUELLET Charles | 2 | 4 | BISSON Mathieu | 10 - 0 | 0:48 | IPO |
| C-59 | SAVARD Matis | 1 | 3 | FORTIN Antoine | 0 - 10 | 1:10 | IPO |
| C-60 | OUELLET Charles | 2 | 5 | OUELLET William | 10 - 0 | 2:32 | IPO |

Résultats/Results

| Pos | Nom/Name |
|-----|---------------------------|
| 1 | FORTIN Antoine, albatros |
| 2 | OUELLET Charles, shidokan |
| 3 | OUELLET William, shidokan |
| 4 | BISSON Mathieu, sept-iles |
| 5 | SAVARD Matis, zenshin |

U16M -38V+

Compétiteurs/Competitors

| # | Nom/Name | Grade | Club | 1 | 2 | 3 | 4 | G/W | Pts | Pos |
|---|-----------------------|-------|-----------|----|----|----|----|-----|-----|-----|
| 1 | ROY Victor | 3k+ | asbestos | XX | | 10 | 10 | 2 | 20 | 2 |
| 2 | SLAOUI Rayane | 3k+ | olympique | 5 | XX | 10 | 10 | 3 | 25 | 1 |
| 3 | GAUDREAU Thomas Louis | 3k | seiko | | | XX | 10 | 1 | 10 | 3 |
| 4 | PASSELANDE Jerome | 3k | varenes | | | | XX | 0 | 0 | 4 |

Matches/Matches

| Match | Blanc/White | | | Bleu/Blue | Rés/Res | Tmp/Tim | Code |
|-------|-----------------------|---|---|-----------------------|---------|---------|------|
| D-40 | ROY Victor | 1 | 2 | SLAOUI Rayane | 0 - 5 | 3:00 | WAZ |
| D-41 | GAUDREAU Thomas Louis | 3 | 4 | PASSELANDE Jerome | 10 - 0 | 2:55 | IPO |
| D-47 | ROY Victor | 1 | 3 | GAUDREAU Thomas Louis | 10 - 0 | 1:19 | IPO |
| D-48 | SLAOUI Rayane | 2 | 4 | PASSELANDE Jerome | 10 - 0 | 0:32 | IPO |
| D-54 | ROY Victor | 1 | 4 | PASSELANDE Jerome | 10 - 0 | 0:18 | IPO |
| D-55 | SLAOUI Rayane | 2 | 3 | GAUDREAU Thomas Louis | 10 - 0 | 0:37 | IPO |

Résultats/Results

| Pos | Nom/Name |
|-----|------------------------------|
| 1 | SLAOUI Rayane, olympique |
| 2 | ROY Victor, asbestos |
| 3 | GAUDREAU Thomas Louis, seiko |
| 4 | PASSELANDE Jerome, varenes |

U16M -42JO

Compétiteurs/Competitors

| # | Nom/Name | Grade | Club | 1 | 2 | 3 | G/W | Pts | Pos |
|---|--------------------|-------|---------------|----|----|----|-----|-----|-----|
| 1 | BOUSSANNI Rayane | 5k+ | St-jean-bosco | XX | | | 0 | 0 | 3 |
| 2 | CHAPDELAINE Hubert | 4k | CJVR | 10 | XX | 10 | 2 | 20 | 1 |
| 3 | BOISVERT Justin | 4k+ | donini | 10 | | XX | 1 | 10 | 2 |

Matches/Matches

| Match | Blanc/White | | | Bleu/Blue | Rés/Res | Tmp/Tim | Code |
|-------|--------------------|---|---|--------------------|---------|---------|------|
| C-21 | BOUSSANNI Rayane | 1 | 2 | CHAPDELAINE Hubert | 0 - 10 | 0:54 | IPO |
| C-28 | BOUSSANNI Rayane | 1 | 3 | BOISVERT Justin | 0 - 10 | 1:13 | IPO |
| C-33 | CHAPDELAINE Hubert | 2 | 3 | BOISVERT Justin | 10 - 0 | 0:16 | IPO |

Résultats/Results

| Pos | Nom/Name |
|-----|---------------------------------|
| 1 | CHAPDELAINE Hubert, CJVR |
| 2 | BOISVERT Justin, donini |
| 3 | BOUSSANNI Rayane, St-jean-bosco |

U16M -46JO

Compétiteurs/Competitors

| # | Nom/Name | Grade | Club | 1 | 2 | 1 | 2 | 1 | 2 | G/W | Pts | Pos |
|---|----------------|-------|-----------|----|----|----|----|----|----|-----|-----|-----|
| 1 | BEZEAU Jasmin | 5k+ | sept-iles | XX | | XX | | XX | | 0 | 0 | 2 |
| 2 | GAGNON Raphael | 4k | torakai | 10 | XX | 10 | XX | | XX | 2 | 20 | 1 |

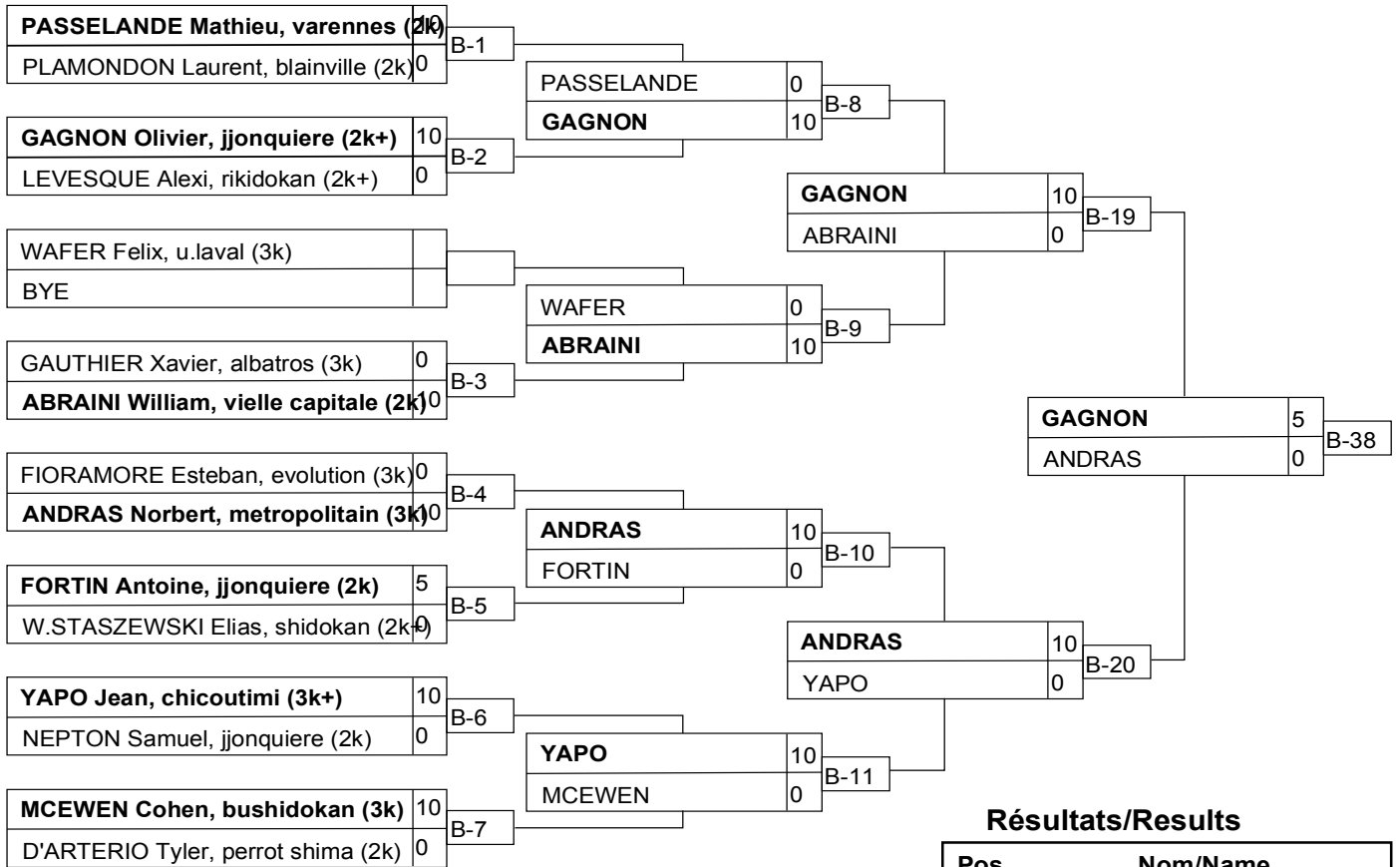
Matches/Matches

| Match | Blanc/White | | | Bleu/Blue | Rés/Res | Tmp/Tim | Code |
|-------|----------------|---|---|----------------|---------|---------|------|
| D-15 | BEZEAU Jasmin | 1 | 2 | GAGNON Raphael | 0 - 10 | 0:05 | IPO |
| D-23 | GAGNON Raphael | 2 | 1 | BEZEAU Jasmin | 10 - 0 | 0:29 | IPO |
| D-29 | BEZEAU Jasmin | 1 | 2 | GAGNON Raphael | | | |

Résultats/Results

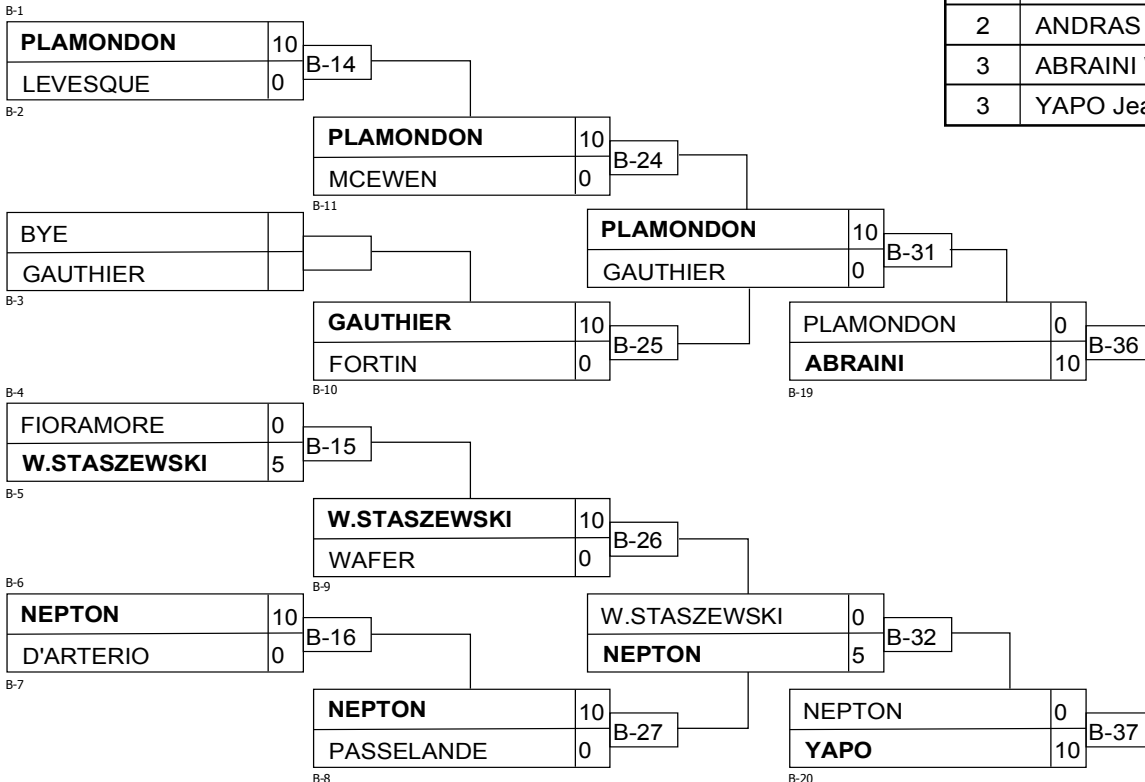
| Pos | Nom/Name |
|-----|--------------------------|
| 1 | GAGNON Raphael, torakai |
| 2 | BEZEAU Jasmin, sept-iles |

U16M -46V+

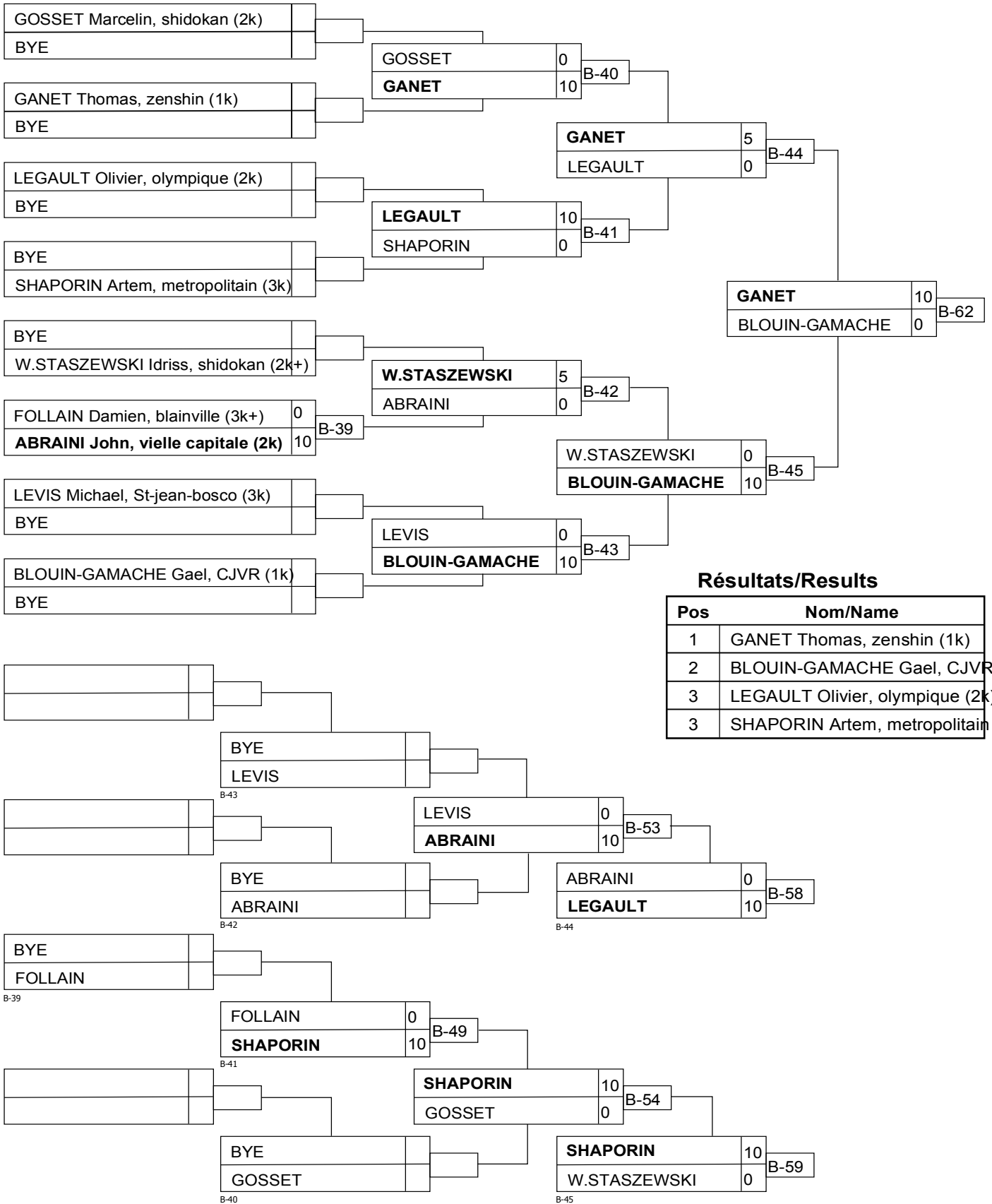


Résultats/Results

| Pos | Nom/Name |
|-----|---------------------------------------|
| 1 | GAGNON Olivier, jjonquiere (2k+) |
| 2 | ANDRAS Norbert, metropolitain (3k) |
| 3 | ABRAINI William, vielle capitale (2k) |
| 3 | YAPO Jean, chicoutimi (3k+) |



U16M -50V+



Résultats/Results

| Pos | Nom/Name |
|-----|------------------------------------|
| 1 | GANET Thomas, zenshin (1k) |
| 2 | BLOUIN-GAMACHE Gael, CJVR (1k) |
| 3 | LEGAULT Olivier, olympique (2k) |
| 3 | SHAPORIN Artem, metropolitain (3k) |

U16M -55JO

Compétiteurs/Competitors

| # | Nom/Name | Grade | Club | 1 | 2 | 1 | 2 | 1 | 2 | G/W | Pts | Pos |
|---|----------------|-------|----------|----|----|----|----|----|----|-----|-----|-----|
| 1 | SIROIS Mathys | 5k+ | Fermont | XX | | XX | | XX | | 0 | 0 | 2 |
| 2 | ZAKHARIAN Leon | 4k+ | shidokan | 10 | XX | 5 | XX | | XX | 2 | 15 | 1 |

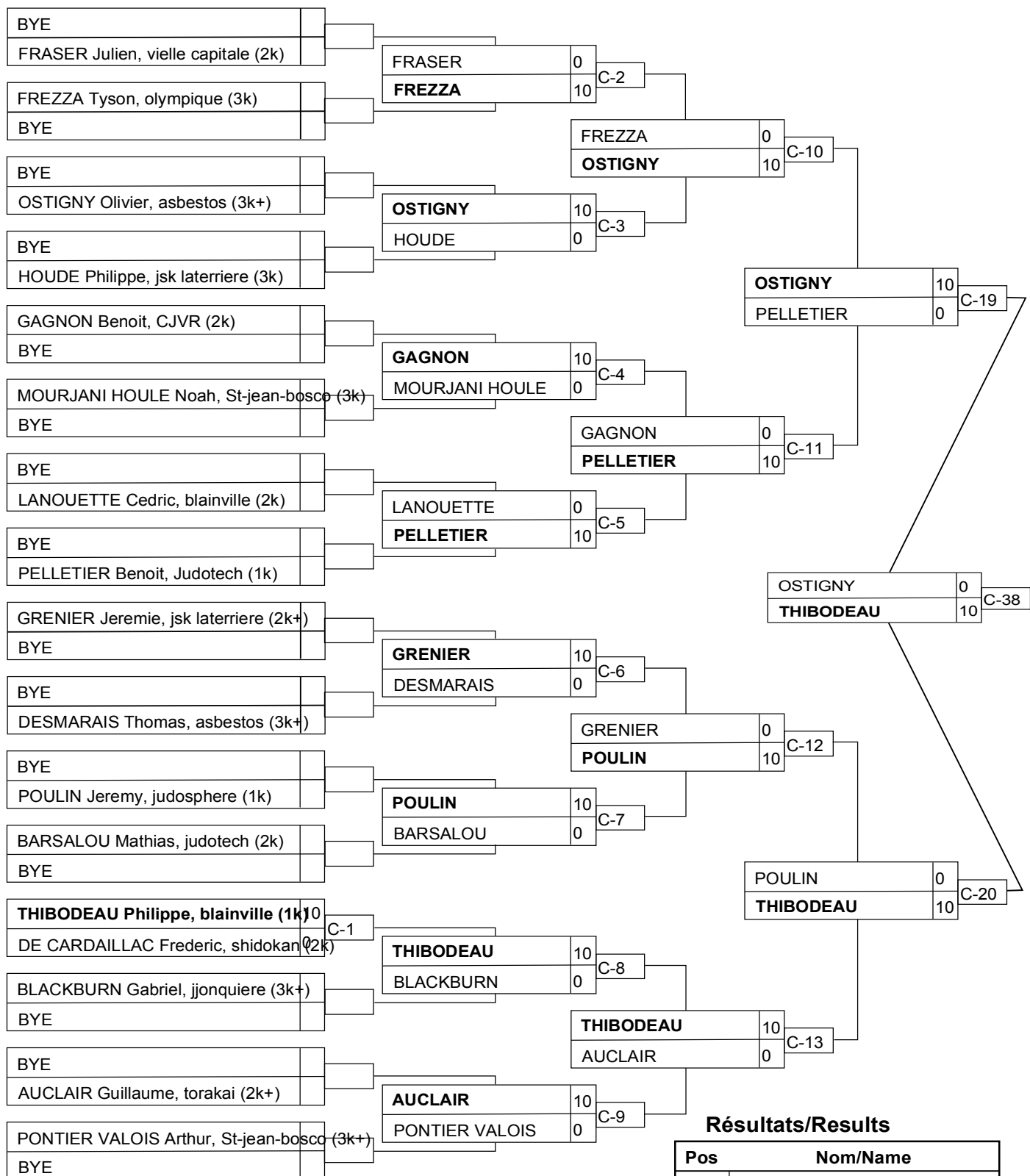
Matches/Matches

| Match | Blanc/White | | | Bleu/Blue | Rés/Res | Tmp/Tim | Code |
|-------|----------------|---|---|----------------|---------|---------|------|
| D-18 | SIROIS Mathys | 1 | 2 | ZAKHARIAN Leon | 0 - 10 | 0:31 | IPO |
| D-26 | ZAKHARIAN Leon | 2 | 1 | SIROIS Mathys | 5 - 0 | 3:00 | WAZ |
| D-32 | SIROIS Mathys | 1 | 2 | ZAKHARIAN Leon | | | |

Résultats/Results

| Pos | Nom/Name |
|-----|--------------------------|
| 1 | ZAKHARIAN Leon, shidokan |
| 2 | SIROIS Mathys, Fermont |

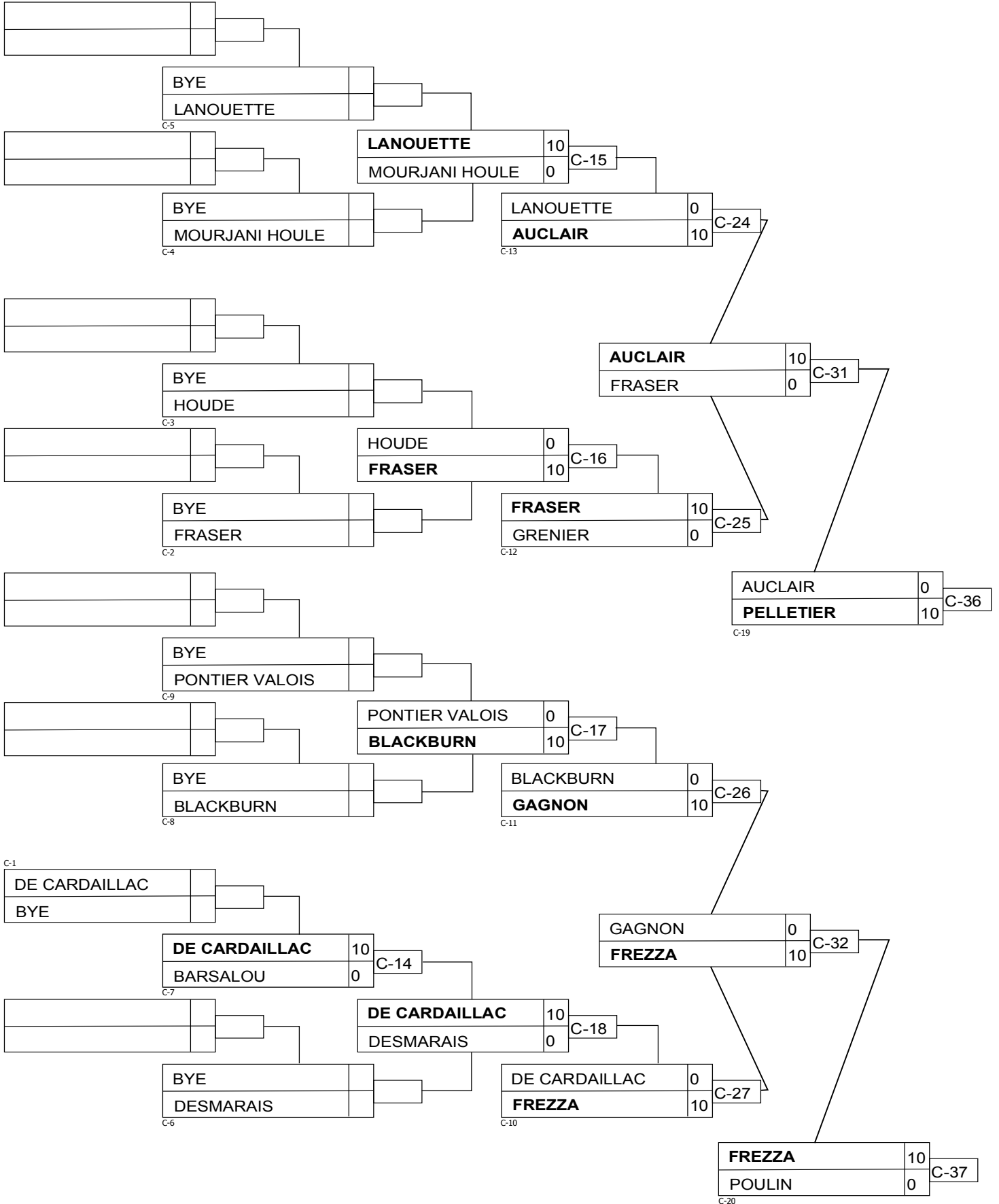
U16M -55V+



Résultats/Results

| Pos | Nom/Name |
|-----|-------------------------------------|
| 1 | THIBODEAU Philippe, blainville (1k) |
| 2 | OSTIGNY Olivier, asbestos (3k+) |
| 3 | PELLETIER Benoit, Judotech (1k) |
| 3 | FREZZA Tyson, olympique (3k) |

U16M -55V+



U16M -60JO

Compétiteurs/Competitors

| # | Nom/Name | Grade | Club | 1 | 2 | 1 | 2 | 1 | 2 | G/W | Pts | Pos |
|---|------------------|-------|-----------------|----|----|----|----|----|----|-----|-----|-----|
| 1 | BLAAS Victor | 4k | vielle capitale | XX | 10 | XX | 10 | XX | | 2 | 20 | 1 |
| 2 | RODRIGUE Anthony | 4k | st-george | | XX | | XX | | XX | 0 | 0 | 2 |

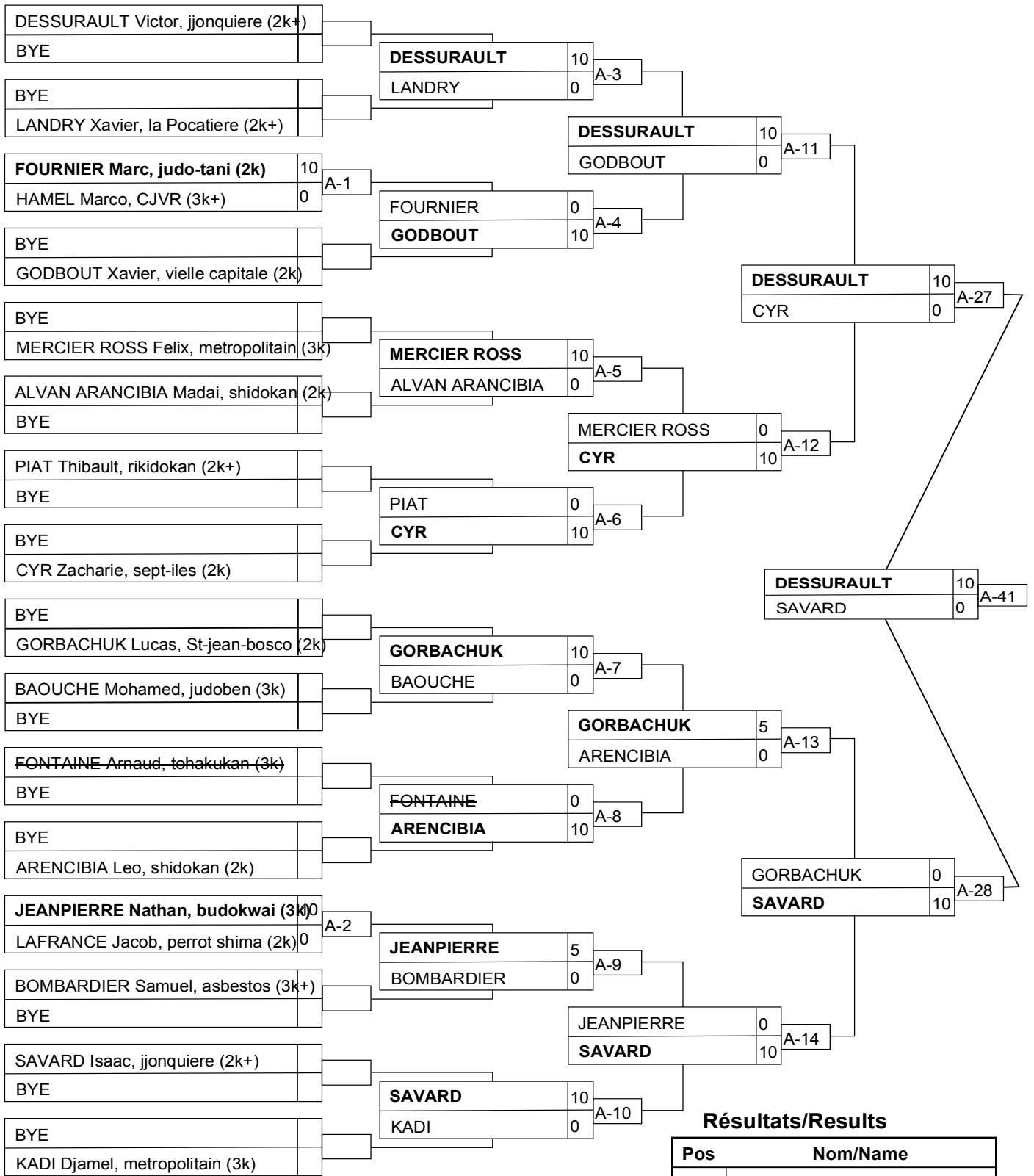
Matches/Matches

| Match | Blanc/White | | | Bleu/Blue | Rés/Res | Tmp/Tim | Code |
|-------|---------------------|---|---|---------------------|---------|---------|------|
| B-23 | BLAAS Victor | 1 | 2 | RODRIGUE Anthony | 10 - 0 | 0:10 | IPO |
| B-30 | RODRIGUE Anthony | 2 | 1 | BLAAS Victor | 0 - 10 | 0:45 | IPO |
| B-35 | BLAAS Victor | 1 | 2 | RODRIGUE Anthony | | | |

Résultats/Results

| Pos | Nom/Name |
|-----|-------------------------------|
| 1 | BLAAS Victor, vielle capitale |
| 2 | RODRIGUE Anthony, st-george |

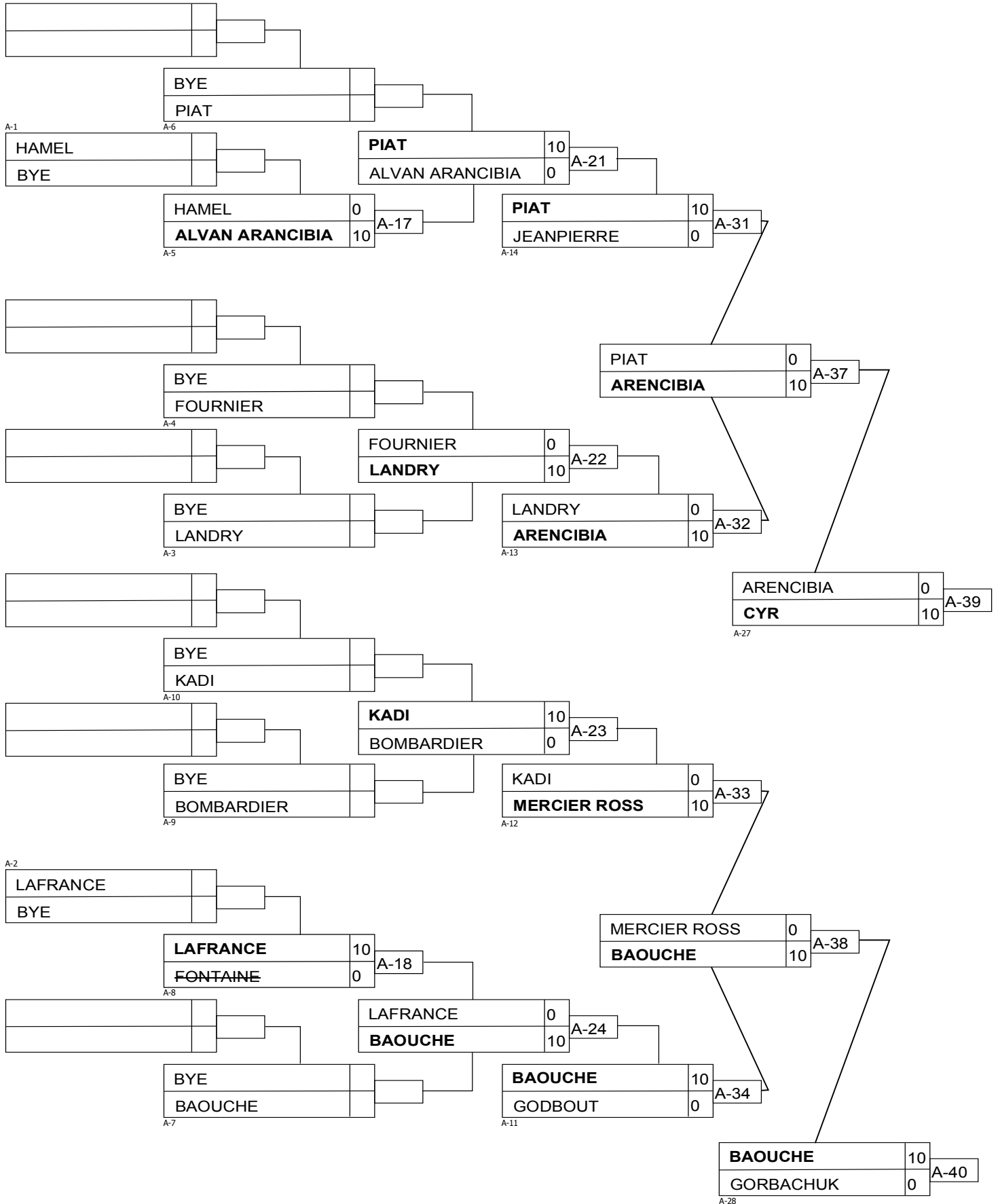
U16M -60V+



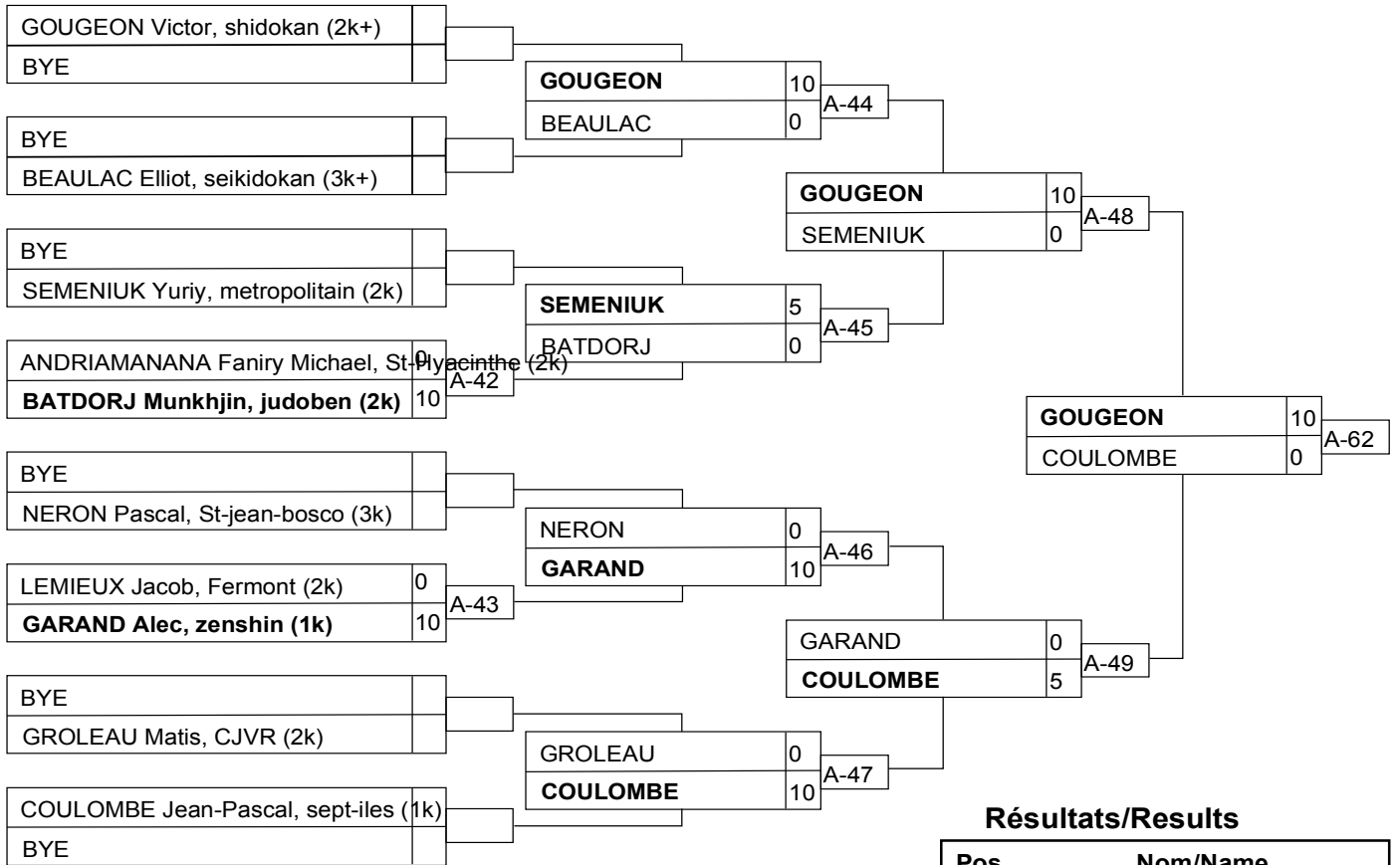
Résultats/Results

| Pos | Nom/Name |
|-----|------------------------------------|
| 1 | DESSURALT Victor, jjonquiere (2k+) |
| 2 | SAVARD Isaac, jjonquiere (2k+) |
| 3 | CYR Zacharie, sept-iles (2k) |
| 3 | BAUCHE Mohamed, judoben (3k) |

U16M -60V+



U16M -66V+



Résultats/Results

| Pos | Nom/Name |
|-----|--------------------------------------|
| 1 | GOUGEON Victor, shidokan (2k+) |
| 2 | COULOMBE Jean-Pascal, sept-iles (1k) |
| 3 | SEMENIUK Yuriy, metropolitain (2k) |
| 3 | GARAND Alec, zenshin (1k) |

U16M -73V+

Compétiteurs/Competitors

| # | Nom/Name | Grade | Club | 1 | 2 | 3 | 4 | 5 | G/W | Pts | Pos |
|---|-----------------|-------|---------------|----|----|----|----|----|-----|-----|-----|
| 1 | MICHAUD Olivier | 3k+ | la Pocatiere | XX | | 5 | 10 | 5 | 3 | 20 | 2 |
| 2 | GAUDET William | 2k | seikidokan | 10 | XX | 10 | 10 | 10 | 4 | 40 | 1 |
| 3 | BOUTIN Alexis | 2k | St-jean-bosco | | | XX | 10 | 5 | 2 | 15 | 3 |
| 4 | FORGET Loic | 3k | kimewaza | | | | XX | | 0 | 0 | 5 |
| 5 | HENIN Thomas | 3k | kimewaza | | | | 10 | XX | 1 | 10 | 4 |

Matches/Matches

| Match | Blanc/White | | | Bleu/Blue | Rés/Res | Tmp/Tim | Code |
|-------|------------------------|---|---|----------------|---------|---------|------|
| D-7 | FORGET Loic | 4 | 5 | HENIN Thomas | 0 - 10 | 0:51 | IPO |
| D-8 | MICHAUD Olivier | 1 | 2 | GAUDET William | 0 - 10 | 2:50 | IPO |
| D-11 | BOUTIN Alexis | 3 | 4 | FORGET Loic | 10 - 0 | 0:38 | IPO |
| D-12 | MICHAUD Olivier | 1 | 5 | HENIN Thomas | 5 - 0 | 3:00 | WAZ |
| D-16 | GAUDET William | 2 | 3 | BOUTIN Alexis | 10 - 0 | 0:32 | IPO |
| D-17 | MICHAUD Olivier | 1 | 4 | FORGET Loic | 10 - 0 | 0:58 | IPO |
| D-24 | BOUTIN Alexis | 3 | 5 | HENIN Thomas | 5 - 0 | 3:00 | WAZ |
| D-25 | GAUDET William | 2 | 4 | FORGET Loic | 10 - 0 | 0:08 | IPO |
| D-30 | MICHAUD Olivier | 1 | 3 | BOUTIN Alexis | 5 - 0 | 3:48 | GSW |
| D-31 | GAUDET William | 2 | 5 | HENIN Thomas | 10 - 0 | 1:45 | IPO |

Résultats/Results

| Pos | Nom/Name |
|-----|-------------------------------|
| 1 | GAUDET William, seikidokan |
| 2 | MICHAUD Olivier, la Pocatiere |
| 3 | BOUTIN Alexis, St-jean-bosco |
| 4 | HENIN Thomas, kimewaza |
| 5 | FORGET Loic, kimewaza |

U16M +73V+

Compétiteurs/Competitors

| # | Nom/Name | Grade | Club | 1 | 2 | 3 | 4 | 5 | G/W | Pts | Pos |
|---|---------------------|-------|---------------|----|----|----|----|----|-----|-----|-----|
| 1 | HAMEL Alex | 2k | CJVR | XX | | 10 | 10 | 10 | 3 | 30 | 2 |
| 2 | COTÉ Felix | 1k | albatros | 10 | XX | 10 | 10 | 10 | 4 | 40 | 1 |
| 3 | TRIAL Alexandre | 3k | St-jean-bosco | | | XX | 10 | | 1 | 10 | 5 |
| 4 | BOUTIN COTE Raphael | 3k | beauport | | | | XX | 10 | 1 | 10 | 3 |
| 5 | BEAUDOIN Etienne | 2k | beauport | | | 10 | | XX | 1 | 10 | 4 |

Matches/Matches

| Match | Blanc/White | | | Bleu/Blue | Rés/Res | Tmp/Tim | Code |
|-------|----------------------------|---|---|-------------------------|---------|---------|------|
| B-12 | BOUTIN COTE Raphael | 4 | 5 | BEAUDOIN Etienne | 10 - 0 | 0:25 | IPO |
| B-13 | HAMEL Alex | 1 | 2 | COTÉ Felix | 0 - 10 | 0:55 | IPO |
| B-17 | TRIAL Alexandre | 3 | 4 | BOUTIN COTE Raphael | 10 - 0 | 2:58 | IPO |
| B-18 | HAMEL Alex | 1 | 5 | BEAUDOIN Etienne | 10 - 0 | 1:21 | IPO |
| B-21 | COTÉ Felix | 2 | 3 | TRIAL Alexandre | 10 - 0 | 0:07 | IPO |
| B-22 | HAMEL Alex | 1 | 4 | BOUTIN COTE Raphael | 10 - 0 | 1:00 | IPO |
| B-28 | TRIAL Alexandre | 3 | 5 | BEAUDOIN Etienne | 0 - 10 | 1:17 | IPO |
| B-29 | COTÉ Felix | 2 | 4 | BOUTIN COTE Raphael | 10 - 0 | 0:07 | IPO |
| B-33 | HAMEL Alex | 1 | 3 | TRIAL Alexandre | 10 - 0 | 1:12 | IPO |
| B-34 | COTÉ Felix | 2 | 5 | BEAUDOIN Etienne | 10 - 0 | 0:30 | IPO |

Résultats/Results

| Pos | Nom/Name |
|-----|--------------------------------|
| 1 | COTÉ Felix, albatros |
| 2 | HAMEL Alex, CJVR |
| 3 | BOUTIN COTE Raphael, beauport |
| 4 | BEAUDOIN Etienne, beauport |
| 5 | TRIAL Alexandre, St-jean-bosco |