

-U21SENRM -100kg 4k5k

Competitors/Compétiteurs A

#	Name/Nom	Grade	Club	1	2	3	W/G	Pts	Pos
1	DJENADI Rayan	5k	QC/CJCSHP	XX	10	10	2	20	1
2	OTTO Walter	5k	QC/Metropolitain		XX	10	1	10	2
3	LI Leo	5k	QC/Evolution			XX	0	0	3

Pool A

Match	White/Blanc			Blue/Bleu	Res/Rés	Tim/Tmp	Code
D-1	DJENADI Rayan	1	2	OTTO Walter	10 - 0	0:37	IPO
D-8	DJENADI Rayan	1	3	LI Leo	10 - 0	0:41	IPO
D-15	OTTO Walter	2	3	LI Leo	10 - 0	0:17	IPO

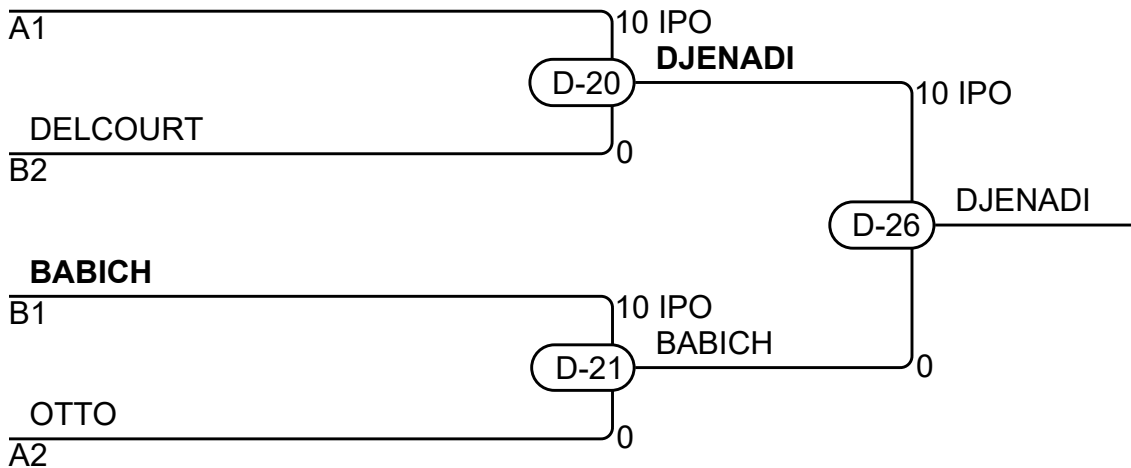
Competitors/Compétiteurs B

#	Name/Nom	Grade	Club	4	5	6	W/G	Pts	Pos
4	DEL COURT Felix	5k	QC/Tritton	XX	10		1	10	2
5	BROSSARD Mathieu	5k	QC/Metropolitain		XX		0	0	3
6	BABICH Yaroslav	4k	QC/Universite Laval	10	10	XX	2	20	1

Pool B

Match	White/Blanc			Blue/Bleu	Res/Rés	Tim/Tmp	Code
D-2	DEL COURT Felix	4	5	BROSSARD Mathieu	10 - 0	0:15	IPO
D-9	DEL COURT Felix	4	6	BABICH Yaroslav	0 - 10	0:07	IPO
D-16	BROSSARD Mathieu	5	6	BABICH Yaroslav	0 - 10	0:31	WIP

DJENADI



Results/Résultats

Pos	Name/Nom
1	DJENADI Rayan, QC/CJCSHP
2	BABICH Yaroslav, QC/Universite Laval
3	DEL COURT Felix, QC/Tritton
3	OTTO Walter, QC/Metropolitain