

# -U21SENRM -81kg 4k5k

## Competitors/Compétiteurs A

#	Name/Nom	Grade	Club	1	2	3	W/G	Pts	Pos
1	MCKENNA Bruce	4k	QC/Metropolitain	XX		10	1	10	2
2	GAGNON Vincent	4k	QC/Rikidokan	10	XX	10	2	20	1
3	AMODEO Xavier	5k	QC/Tritton			XX	0	0	3

## Pool A

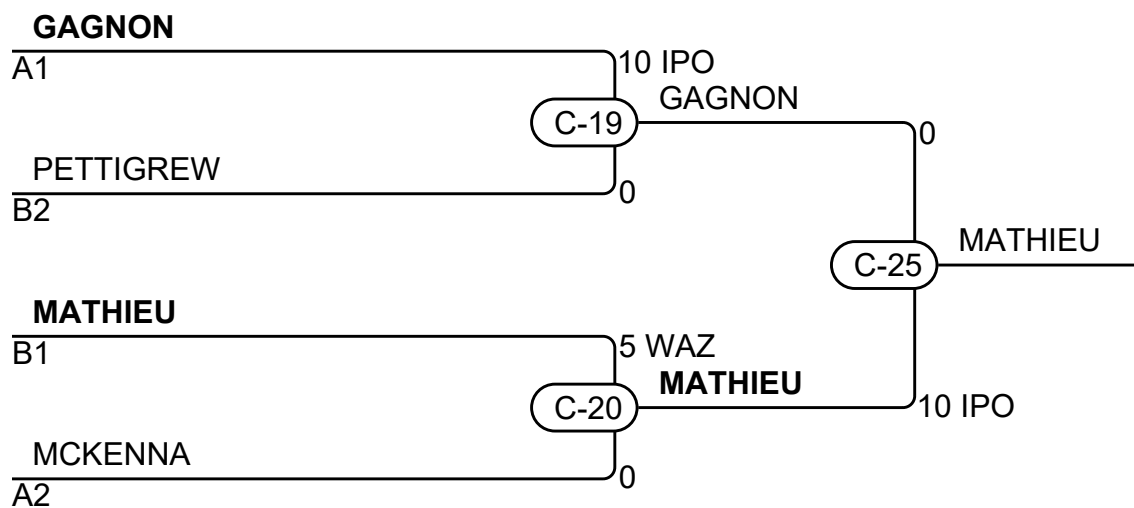
Match	White/Blanc			Blue/Bleu	Res/Rés	Tim/Tmp	Code
C-1	MCKENNA Bruce	1	2	<b>GAGNON Vincent</b>	0 - 10	0:47	IPO
C-6	<b>MCKENNA Bruce</b>	1	3	AMODEO Xavier	10 - 0	1:18	IPO
C-12	<b>GAGNON Vincent</b>	2	3	AMODEO Xavier	10 - 0	1:14	IPO

## Competitors/Compétiteurs B

#	Name/Nom	Grade	Club	4	5	6	W/G	Pts	Pos
4	MATHIEU Vladimyr	5k	QC/Metropolitain	XX	10	10	2	20	1
5	SARDILLI Patrick Angelo	5k	QC/Kyo Shi Do Kan		XX		0	0	3
6	PETTIGREW Michael	5k	QC/Levis		10	XX	1	10	2

## Pool B

Match	White/Blanc			Blue/Bleu	Res/Rés	Tim/Tmp	Code
C-2	<b>MATHIEU Vladimyr</b>	4	5	SARDILLI Patrick Angelo	10 - 0	0:10	IPO
C-7	<b>MATHIEU Vladimyr</b>	4	6	PETTIGREW Michael	10 - 0	2:30	IPO
C-13	SARDILLI Patrick Angelo	5	6	<b>PETTIGREW Michael</b>	0 - 10	0:00	FUS



## Results/Résultats

Pos	Name/Nom
1	MATHIEU Vladimyr, QC/Metropolitain
2	GAGNON Vincent, QC/Rikidokan
3	PETTIGREW Michael, QC/Levis
3	MCKENNA Bruce, QC/Metropolitain