

-U21SENRM -90kg 2k3k

Competitors/Compétiteurs A

#	Name/Nom	Grade	Club	1	2	3	4	W/G	Pts	Pos
1	BUREAU-LAPOINTE Thomas	3k	QC/Univestrie/donini	XX	10		10	2	20	2
2	DUPLESSIS Mathieu	3k	QC/KonKi Do Kan		XX	10		1	10	4
3	WATKINS Giordano	2k	QC/Shidokan	10		XX	10	2	20	1
4	BELAIR Justin	3k	QC/Jikan		10		XX	1	10	3

Pool A

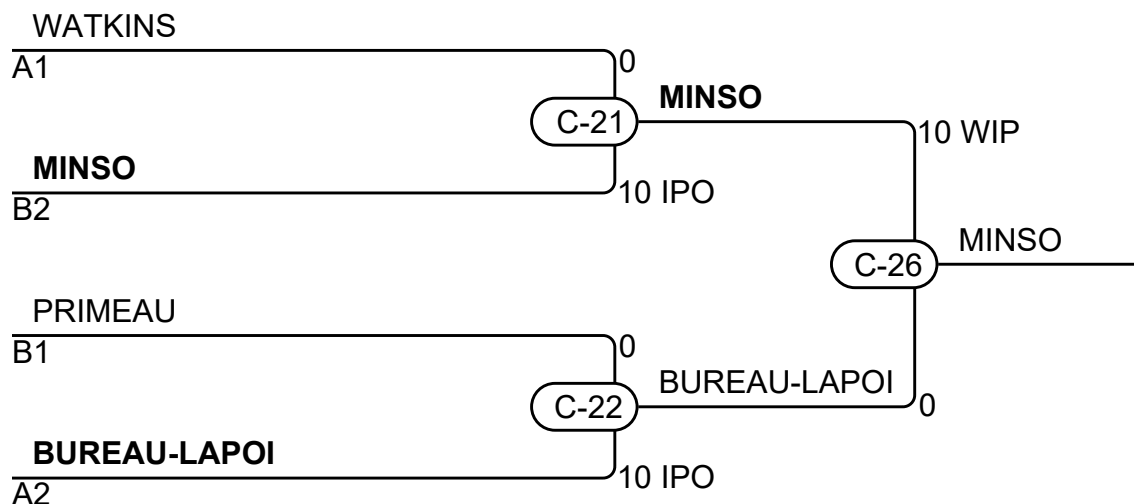
Match	White/Blanc	Blue/Bleu	Res/Rés	Tim/Tmp	Code
C-3	BUREAU-LAPOINTE Thomas 1 2	DUPLESSIS Mathieu	10 - 0	2:28	IPO
C-4	WATKINS Giordano 3 4	BELAIR Justin	10 - 0	1:53	HAN
C-8	BUREAU-LAPOINTE Thomas 1 3	WATKINS Giordano	0 - 10	1:16	IPO
C-9	DUPLESSIS Mathieu 2 4	BELAIR Justin	0 - 10	0:26	IPO
C-14	BUREAU-LAPOINTE Thomas 1 4	BELAIR Justin	10 - 0	0:00	FUS
C-15	DUPLESSIS Mathieu 2 3	WATKINS Giordano	10 - 0	0:56	IPO

Competitors/Compétiteurs B

#	Name/Nom	Grade	Club	5	6	7	W/G	Pts	Pos
5	GUNNA Anoop Reddy	2k	QC/Shidokan	XX			0	0	3
6	PRIMEAU Marc-Andre	3k	QC/St-Paul l'Ermite	10	XX	10	2	20	1
7	MINSO Remy Daniel	3k	QC/KonKi Do Kan	10		XX	1	10	2

Pool B

Match	White/Blanc	Blue/Bleu	Res/Rés	Tim/Tmp	Code
C-5	GUNNA Anoop Reddy 5 6	PRIMEAU Marc-Andre	0 - 10	1:58	IPO
C-11	GUNNA Anoop Reddy 5 7	MINSO Remy Daniel	0 - 10	0:43	WIP
C-16	PRIMEAU Marc-Andre 6 7	MINSO Remy Daniel	10 - 0	0:36	IPO



Results/Résultats

Pos	Name/Nom
1	MINSO Remy Daniel, QC/KonKi Do Kan
2	BUREAU-LAPOINTE Thomas, QC/Univestrie/donini
3	WATKINS Giordano, QC/Shidokan
3	PRIMEAU Marc-Andre, QC/St-Paul l'Ermite