

U21M -100kg 2k+

Competitors/Compétiteurs A

| # | Name/Nom | Grade | Club | 1 | 2 | 3 | 4 | W/G | Pts | Pos |
|---|-----------------------|-------|------------------|----|----|----|----|-----|-----|-----|
| 1 | DROGHINSCHII Grigorii | 2k | QC/Torii | XX | | | | 0 | 0 | 4 |
| 2 | SILEM Mohamed Amine | 1d | QC/Metropolitain | 10 | XX | 10 | 10 | 3 | 30 | 1 |
| 3 | GAUDET Ethan | 1k | PE/Toshidokan | 10 | | XX | | 1 | 10 | 3 |
| 4 | KHALFON Eden | 1k | ON/Taifu | 5 | | 10 | XX | 2 | 15 | 2 |

Pool A

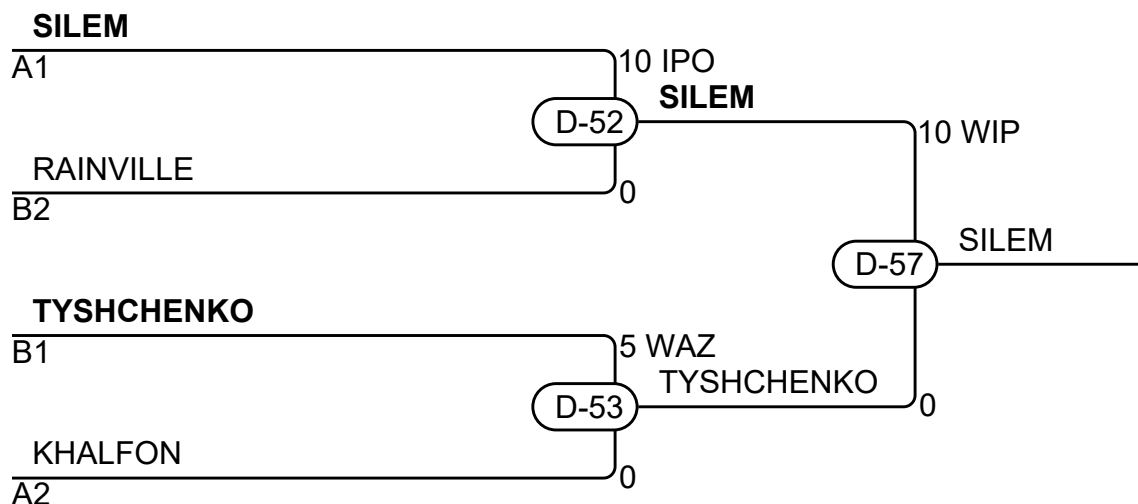
| Match | White/Blanc | Blue/Bleu | Res/Rés | Tim/Tmp | Code |
|-------|------------------------------|---------------------|---------|---------|------|
| D-19 | DROGHINSCHII Grigorii 1 2 | SILEM Mohamed Amine | 0 - 10 | 1:33 | WIP |
| D-20 | GAUDET Ethan 3 4 | KHALFON Eden | 0 - 10 | 4:10 | HAN |
| D-32 | DROGHINSCHII Grigorii 1 3 | GAUDET Ethan | 0 - 10 | 0:48 | WIP |
| D-33 | SILEM Mohamed Amine 2 4 | KHALFON Eden | 10 - 0 | 1:27 | WIP |
| D-43 | DROGHINSCHII Grigorii 1 4 | KHALFON Eden | 0 - 5 | 4:00 | WAZ |
| D-44 | SILEM Mohamed Amine 2 3 | GAUDET Ethan | 10 - 0 | 0:38 | IPO |

Competitors/Compétiteurs B

| # | Name/Nom | Grade | Club | 5 | 6 | 7 | W/G | Pts | Pos |
|---|-----------------|-------|------------------|----|----|----|-----|-----|-----|
| 5 | RAHMANI Mossaab | 2k | QC/Torii | XX | | | 0 | 0 | 3 |
| 6 | RAINVILLE Matys | 1d | QC/Drummondville | 10 | XX | | 1 | 10 | 2 |
| 7 | TYSHCHENKO Ivan | 1k | AB/Tokugawa | 10 | 10 | XX | 2 | 20 | 1 |

Pool B

| Match | White/Blanc | Blue/Bleu | Res/Rés | Tim/Tmp | Code |
|-------|------------------------|-----------------|---------|---------|------|
| D-21 | RAHMANI Mossaab 5 6 | RAINVILLE Matys | 0 - 10 | 0:34 | IPO |
| D-34 | RAHMANI Mossaab 5 7 | TYSHCHENKO Ivan | 0 - 10 | 2:15 | IPO |
| D-45 | RAINVILLE Matys 6 7 | TYSHCHENKO Ivan | 0 - 10 | 4:00 | WIP |



Results/Résultats

| Pos | Name/Nom |
|-----|---------------------------------------|
| 1 | SILEM Mohamed Amine, QC/Metropolitain |
| 2 | TYSHCHENKO Ivan, AB/Tokugawa |
| 3 | RAINVILLE Matys, QC/Drummondville |
| 3 | KHALFON Eden, ON/Taifu |