

# U16M 3k+ -73kg

## Competitors/Compétiteurs A

#	Name/Nom	Grade	Club	1	2	3	4	W/G	Pts	Pos
1	GISKIN Noah (67,90)	4k+	Challenge	XX				0	0	4
2	BEKAURI Luka (72,50)	4k	Olympic	1	XX	7	10	3	18	1
3	BRICE Lukas Emmanuel Kings	3k	Kiseki	10		XX	7	2	17	2
4	GELFAND Kelvin (71,60)	3k	Ararat	10			XX	1	10	3

## Pool A

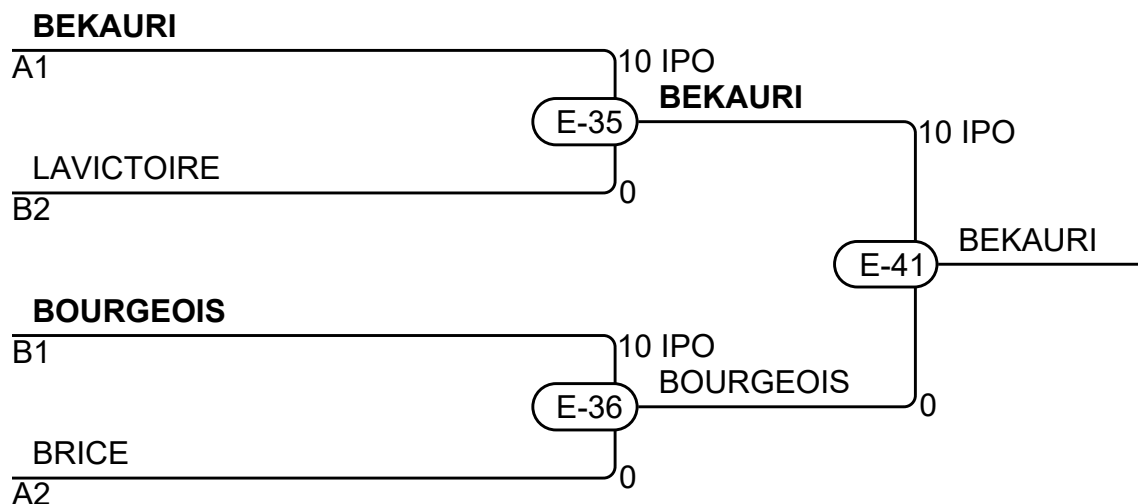
Match	White/Blanc			Blue/Bleu	Res/Rés	Tim/Tmp	Code
E-1	GISKIN Noah	1	2	BEKAURI Luka	0 - 1	0:00	YUS
E-2	BRICE Lukas Emmanuel Kingston	3	4	GELFAND Kelvin	7 - 0	3:00	WAZ
E-13	GISKIN Noah	1	3	BRICE Lukas Emmanuel Kingston	0 - 10	0:33	IPO
E-14	BEKAURI Luka	2	4	GELFAND Kelvin	10 - 0	2:21	IPO
E-25	GISKIN Noah	1	4	GELFAND Kelvin	0 - 10	0:55	WIP
E-26	BEKAURI Luka	2	3	BRICE Lukas Emmanuel Kingston	7 - 0	3:00	WAZ

## Competitors/Compétiteurs B

#	Name/Nom	Grade	Club	5	6	7	W/G	Pts	Pos
5	BOURGEOIS Hugo (67,20)	3k	St-Jean-Bosco	XX	10	1	2	11	1
6	BABAJANYAN Aris (68,80)	4k	Olympique		XX		0	0	3
7	LAVICTOIRE Gabriel (71,50)	4k+	Cantley		10	XX	1	10	2

## Pool B

Match	White/Blanc			Blue/Bleu	Res/Rés	Tim/Tmp	Code
E-3	BOURGEOIS Hugo	5	6	BABAJANYAN Aris	10 - 0	2:07	IPO
E-15	BOURGEOIS Hugo	5	7	LAVICTOIRE Gabriel	1 - 0	3:29	GS
E-27	BABAJANYAN Aris	6	7	LAVICTOIRE Gabriel	0 - 10	0:00	IPO



## Results/Résultats

Pos	Name/Nom
1	BEKAURI Luka, Olympic
2	BOURGEOIS Hugo, St-Jean-Bosco
3	LAVICTOIRE Gabriel, Cantley
3	BRICE Lukas Emmanuel Kingston, Kiseki